

# ***fubag***

MIG-MAG  
Сварочный полуавтомат  
MIG-MAG Welding machine

Operator's Manual  
Инструкция по эксплуатации

**IRMIG 140**

**IRMIG 160**

**IRMIG 180**



[www.fubag.ru](http://www.fubag.ru)



**WARNING! BEFORE USING THE WELDING MACHINE READ THE INSTRUCTION MANUAL CAREFULLY! FOR QUALIFIED AND SPECIALLY TRAINED PERSONS ONLY AFTER PROPER READING OF THIS MANUAL IS ALLOWED TO USE AND TO MAINTAIN THIS WELDING MACHINE.**

The detailed description, safety rules and all required information necessary for proper operation and maintenance of FUBAG welding machine are provided below. Keep this instruction manual by machine and refer to it by any doubts concerning safety operation, maintenance storage and handling of FUBAG welding machine.

## 1. Safety operation

- It is highly recommended always to follow the safety rules. Wear protective clothes and special means to avoid injuries to eyes and skins.
- Use the welding mask or special protective glasses while working with the welding machine. Only by viewing through the filter lens on the welding mask your eyes are secured by your operation.
- Prevent the sparks and spatter from harming your body.
- Under no circumstance allow any part of your body to touch the welder's output bipolarity (torch and work piece).
- Do not operate under water or more humid place.
- Fumes and gases produced when welding are hazardous to health. Make sure to work in places where there are exhaust or ventilation facilities to keep fumes or emissions away from the breathing zone.
- Please remember to keep arc rays away from the other nearby people when welding. This is only due to the interference from arc rays.
- There will be high temperature when welding work piece, so please don't directly touch on it
- No touching on the output connection or any other electrification parts while welding.
- No touching on the electrification parts after turning on the power. Cut off the power supply after operation or before leaving the welding site.
- No welding in the dangerous site where easily get an electrical shock.
- No welding for the container loaded inflammable or explosive materials.
- Safe measures should be adopted while operating in high place to avoid accident.
- No entering the welding site for persons not concerned.
- Welders possible have electromagnetism and frequency interference, so keep away people with heart pace or the articles which can be interfered by electromagnetism and frequency.



**WARNING.** The welder voltage is always higher, so the safety precaution should be taken before repair to avoid accidental shock. Switch off the power supply before each type of maintenance work. The untrained people are not allowed to make maintenance of the machine.

- Check the connection of input and output cables and the earth (ground) connection, etc.
- Maintenance should be conducted by the trained personnel.
- The newly installed machine or the welder not in use for some time needs to be checked by multimeter have the right insulation resistance between each winding and the case.
- When the welder is used outdoors, it should be kept from rain or long exposure to the sun.
- Check is needed from time to time to make sure the welding cable is in good condition if the welding machine is in frequent use. Check at least once each month if the welder is in regular use. It is necessary to check when the welder is in mobile use.
- If the welder is not in use either for a long time or temporarily, it should be kept dry and have good ventilation to free it from moisture, erodible or toxic gas.
- The welder must be installed in the place where it can not be exposed to sun and rain. Also it must be stored in less humid place with the temperature range at  $-10 +40^{\circ}\text{C}$ .
- Dust removal is needed every year. Check the machine's fasteners, moving-iron, current regulation screws, etc to make sure there are no loose connection problems.
- The dust, acid and erodible dirt in the air at the job site can not exceed the amount required by the norm (excluding the emission from the welder).
- The welder must be installed in the place where it can not be exposed to sun and rain. Also it must be stored in less humid place with the temperature.
- There should be 50 cm space about for the welding machine to have good ventilation.
- Make sure that there is no metal-like foreign body to enter the welding machine.
- Electrode must be taken down from holder when no welding.
- No violent vibration in the welder's surrounding area.
- Make sure that there is no interference with the surrounding area at the installation site.
- The welder should be installed on the horizontal surface and if it over  $15^{\circ}$ , there should be added some anti-dump set.
- Take measures to prevent wind while operating in the strong wind since the welder is gas shielded. The wind speed is limited below 1,0 m/s, or the wind shield device must be loaded.

### **Safety Check:**

Each item listed below must be carefully checked before operation:

- Make sure that there is no short circuit connection with welder's both outputs.
- Make sure that there is always sound output and input wire connection instead of exposing it outside.

Regular check needs to be conducted by the qualified personnel after the welding machine has been installed over a long period or re-operation, which involves as follows:

- Check the welding cable to see if it can continue to be used before it is worn out.
- Replace the welder's input cable as soon as it is found to be broken or damaged.
- Make sure whether there is enough power supply to make the welding machine work properly. Any power source required to access the welding machine must be installed with some protective equipments.

Please do not hesitate to contact us for technical assistance whenever you come across the problems you can not work out or you may deem difficult to fix.

## 2. Technical Specification

Item	IRMIG140	IRMIG160	IRMIG180
Rated input voltage, V	220		
Frequency, Hz	50		
Rated input current, A	25	28	30
Rated input, kVA	5,5	6,2	6,6
Rated no-load voltage, V	52	52	52
MIG min welding current, A	30	30	30
MIG max welding current, A	140	160	180
MIG rated duty cycle, %	35	30	25
MIG welding current at 100%, A	83	88	90
Efficiency, %	85	85	85
Power factor	0,92	0,92	0,75
Insulation class	H		
Enclosure protection	IP21S		
Cooling type	Fan cooled		
Dimension (LxWxH), mm	570x300x370		
Weight, kg	11	11	12

The manufacturer reserves himself the right to make the manual's content or welder's function change without any preliminary notification of the users.

## 3. Description

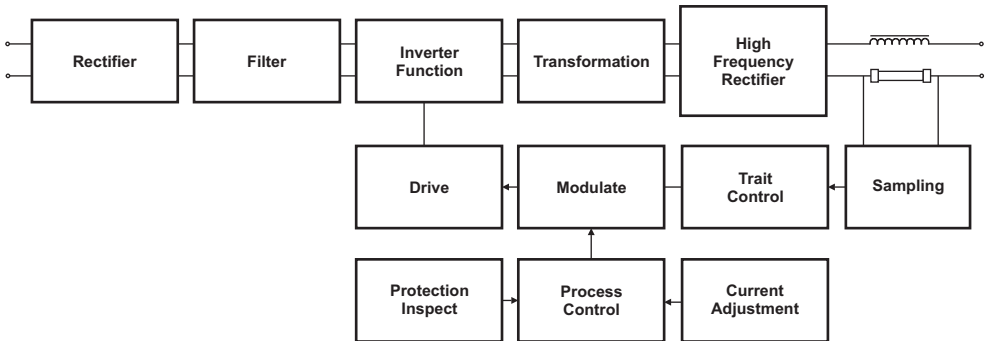
MIG Series Inverter is designed to be used with the advanced IGBT (Insulated Gate Bipolar Tube) and rapid recovery diode as its main control and transfer components and assisted with the specially developed control circuit. The continuous wire can form welding seam metal after melting so as to connect the work pieces each other. The melting electrode gas protects the welding district easily, so it is easy to operate & observe the whole working process. Its characteristics are high produce efficiency and easy to carry out all-position welding.

The highlighted characteristics of MIG Series Inverter:

- Featured with small volume and light weight, it widely used in upholstering field, repairing field and fieldwork.
- High working efficiency. Automatic Wire Feeding can realize high speed welding.
- No special requirements for the welding wire. Both solid and flux-cored wires are available. The diameter of the wire is between 0,6 - 0,8 (1,0) mm.
- Undercutfunction make arc-piloting more successful.

## 4. Welder's Principle

The welder acquires 220V single phase industrial frequency AC power source through the power switch and rectify through single phase rectifier bridge and then filtered through capacitor to get the DC current. The 40 KHz AC current is got through the IGBT all-bridge inverter. Then this alternating current, transformed by the intermediate frequency transformer and rectified by quick recovery diode, outputs the stable direct current for the welder immediately after it has been filtered by the reactor. The wire feed speed can be stepless adjusted through the speed adjust knob. The welding current is easily influenced from the wire feed speed, usually the faster the wire feed speed the bigger the Amp value under the same voltage.



MIG series use the movable carton like structures: The upper part in the front is equipped with a welding current regulation knob, abnormal indicator light, working indicator. The back side is installed with power switch, gas valve connection, cooling fan, power source lead-in wire, breaker. On the top there is a handle for the convenient of easy transport. When you open the cover, there is one primary transformer, one piece of printed circuit board. The bottom part is supplied with output reactor, primary transformer and etc. Installed in the middle part is a radiator with power elements.

### Environment to Which the Product Is Subject:

- The surrounding temperature range: when welding:  $-10 + 40^{\circ}\text{C}$ ;  
During transport or in storage:  $-25 + 55^{\circ}\text{C}$
- Relative humidity: when at  $40^{\circ}\text{C}$ :  $\leq 50\%$ , when at  $20^{\circ}\text{C}$ :  $\leq 90\%$
- The dust, acid and erodible materials in the air can not exceed the amount required by the norm (apart from the emissions from the welding process). No violent vibration at the job site.
- Keep from raining when it is used outdoor.
- Altitude no more than 1,000m.

### Requirement for Main Supply:

- The oscillation of the supplied voltage should not exceed  $\pm 10\%$  of the rated value.

## 5. Torch

The torch is composed by torch stand, connecting cable and handle.

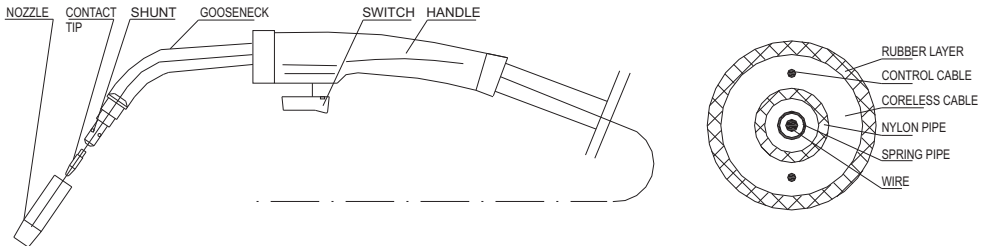
Torch stand is the interface of torch and wire feeding device.

Connecting cable: covered by nylon pipe the liner is loaded in the center of coreless cable. The inner part of liner is the passage for wire feeding. The space between liner and coreless cable is the passage for shielded gas. Coreless cable is the passage for current.



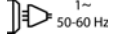

There is a gooseneck installed in the handle of the torch. In the back part of the torch there is a connecting with the coreless cable and in the front part is a shunt. The shielded gas distributes via the shunt and forms well-proportioned air current in the nozzle, and then spurt out in a form of air hanging. Set with a sensitive switch on the handle to control the welding current.

### Notice:

- Must cut off the power before assemble/disassemble torch or replace the components.
- The nozzle must be replaced in time on the condition that welding quality was influenced when it burned to some extent. The distributor of torch must be replaced when it ruined.
- The cable of torch must be replaced when it worn out.



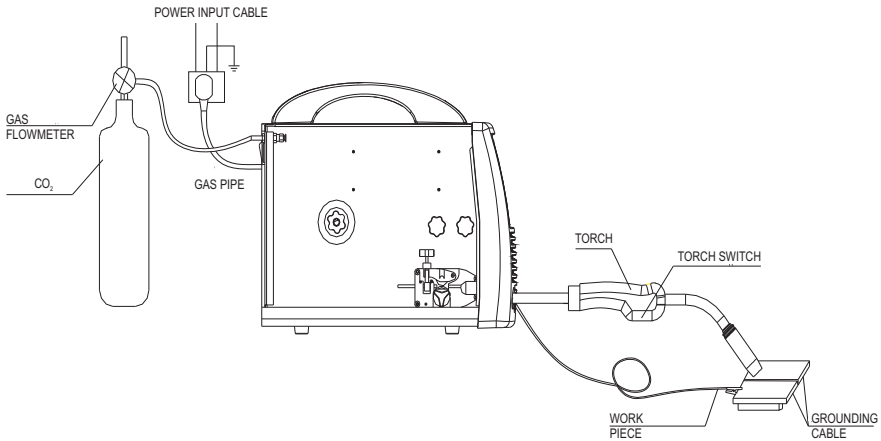
## 6. Sign & Pictures Illustration

SIGN	NAME
<b>A</b>	Current
<b>V</b>	Power
<b>Hz</b>	Frequency
	Ground
<b>H</b>	Insulation grade
<b>IP21</b>	Protection class
	DC current
	Power source
<b>U<sub>0</sub></b>	Rated open circuit voltage
<b>X</b>	Duty cycle
<b>I<sub>1</sub></b>	Rated input current
<b>I<sub>2</sub></b>	Rated welding current
	Welder's structure
<b>U<sub>1</sub></b>	Rated input voltage
<b>U<sub>2</sub></b>	Rated load voltage

## 7. Installation

### Welder's Placement

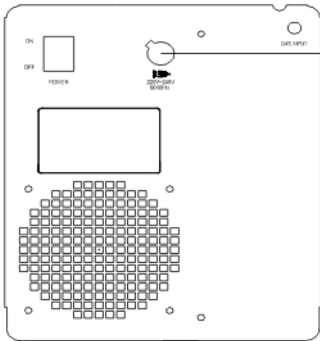
- The dust, acid and erosible dirt in the air at the job site can not exceed the amount required by the norm.
- The welder must be installed in the place where it can not be exposed to sun and rain. Also it must be stored in less humid place with the temperature range at -10 до 40°C.
- There should be 50 cm space about for the welding machine to have good ventilation.
- Apparatus to exclude wind and smoke should be equipped if the inside aeration is not sound.



### Connection between Welder and Power Source

Connect the power source cable at the back board of the welder into the single phase 220 voltage power network with breaker; 380 voltage power sources is strictly prohibited to the welder which will severely damage the welder, otherwise the user should take the consequences for it.

**Notice:** The melting current of the fuse is 1.2~1.5 times of its rated current.



1-phaze  
power supply  
220 V

Input connection Sketch

Item	IR 140/160	IR 180/200
Circuit breaker, A	≥40	≥45
Fuse (Rated current), A	30	40
Knife Switch, A	35	45
Power cord, mm <sup>2</sup>	≥2,5	≥2,5

### The installation and connection of MIG Welding

#### Connection and installation of the wire feeder

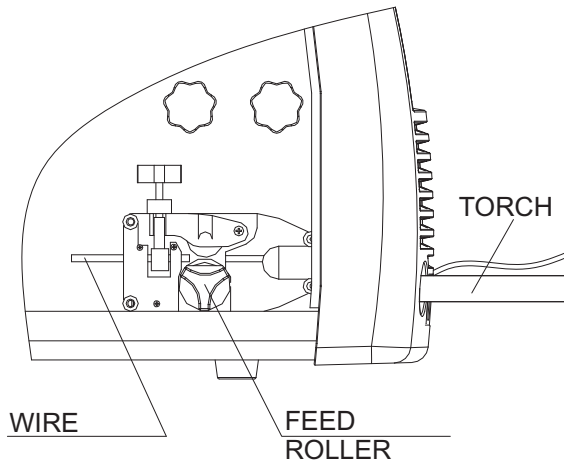
- Select suitable wire according to welding technology. The wire diameter must be matched with drive roll, wire guide pipe liner and contact tip.

- Open the lid of wire reel on the wire feeder put "Wire Coil" into "Wire Reel" on the wire feeder.

**Attention:** Wire end under the "Wire Reel", opposite wire feeder.

- There is damping screw device in the "Wire Reel" (hex head screw will be seen when open the lid). Pull the wire reel with hand when adjust. If resistance is over large, may adjust damping bolt: screw clockwise will enlarge the value and vice versa.





- Lead wire into "Wire Guide Pipe" of wire feeder, align wire with roll groove through "Drive Roll", re-lead "Socket Tip" and press "Drive Roll". (If more welding wire is needed, it will be done after switching on the power.)

### Connection of the Connection Cable

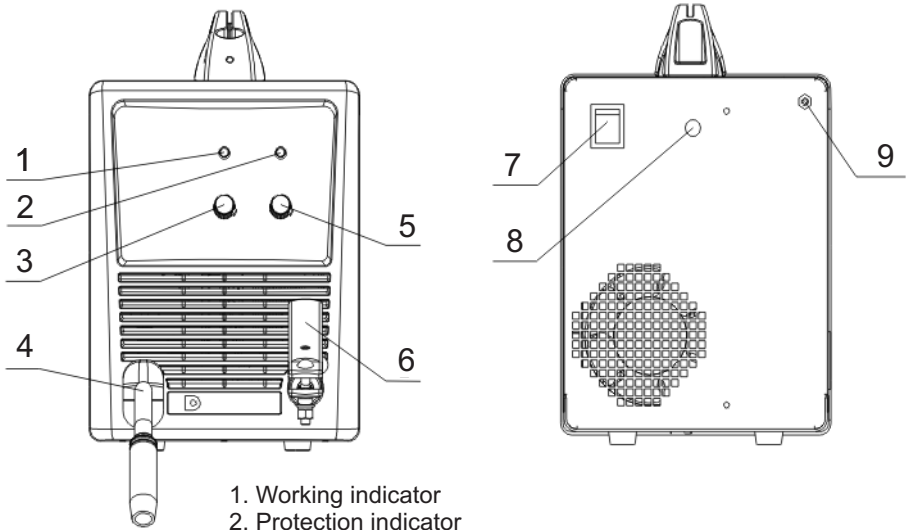
- Connect the copper tip of the earth clamp which thread through the wire access hole on the panel with "-" of the "connecting tip". The connecting cable must be reliable, or the connecting tip will burn out.

- In order to reach sound performance when welding with flux-cord wire, it's available that connect the "+" , "-" in an opposite way, that's the wire feed motor with "-" and the connecting cable with "+".

**Notice:** Do not use steel plate or the materials alike which are ill conductor to connect between welder and work piece.

## 8. Operation

**ATTENTION:** The protection class of INMIG Series is IP21S. It is forbidden to put in a finger or insert a round bar less than 12.5 mm (metal bar in particular) into the welder. No heavy force can be employed on the welder.



1. Working indicator
2. Protection indicator
3. Welding current adjustor
4. Torch
5. Wire speed adjustor
6. Grounding cable connector
7. Power Switch
8. Power Cord
9. Gas input connector

**Attention:**

- The 'protection indicator light' will be on after a long time operation, it shows that the inner temperature is over the permitted data, then the machine should be stopped using for some time to let it cool down. It can continue using after the 'protection indicator light' is off.
- The power source should be switched off after the operation or while temporarily leaving job site.
- Welders should dress canvas work cloth and wear welding mask to prevent the hurt from arc and thermal radiation.
- Light separating screen should be put in the job site to prevent the arc will hurt other people.
- Inflammable or explosive materials are prohibited to access the job site.
- Each connection of the welder should be connected correctly and creditably.

**Work Piece cleaning Before Welding**

Wire, groove and surrounding 10-20 mm site must be cleaned, no existing rust, greasy dirt, water and paint etc.

**MIG welding steps****a) Debugging before welding**

- Install the torch, gas and welding wire, and then turn on the power switch. The power indicator is on and fan works.
- Turn on the gas regulator of gas tank, the gas pressure is shown on the meter.
- Turn the gas regulator anticlockwise, loose the wire roller, press down the torch switch, and then adjust the gas flow to meet the technics requirement, and then repress the wire roller.
- Press the torch switch till the wire extends to the nozzle.
- When wire feeding, make the cable straight.
- When wire feeding, make sure the wire is located on the wire roller groove reliably and the feeding speed should be smooth. If the wire feeding speed is not smooth, please adjust the tension of the wire roller.
- When using MIG wire, the V groove wire roller should be used.

**b) Welding**

- When welding, please adjust the welding current and welding voltage matchable according to the set-up.
- Aim at the welding line, press down the torch switch, the wire feeds automatically. The arc is started once the wire is touched the work piece. When welding, the "working indicator" is on.

**Flux welding steps****a) Debugging before welding**

- Change the polarity on the vertical board, it is, connect MIG torch lead to "-", the ground cable lead to "+".
- Install the torch, gas and welding wire, and then turn on the power switch. The power indicator is on and fan works.
- Press the torch switch till the wire extends to the nozzle.
- When wire feeding, make the cable straight.
- When wire feeding, make sure the wire is located on the wire roller groove reliably and the feeding speed should be smooth. If the wire feeding speed is not smooth, please adjust the tension of the wire roller.
- When using flux wire, the gear type groove wire roller should be used.

**b) Welding**

- When welding, please adjust the welding current and welding voltage matchable according to the set-up.
- Aim at the welding line, press down the torch switch, the wire feeds automatically. The arc is started once the wire is touched the work piece. When welding, the "working indicator" is on.

## 9. Maintenance

Unlike the traditional welder, the reversible welder belongs to the scientifically sophisticated product which uses the modern electronic component parts combined with high technology. Therefore the trained personnels are required for its maintenance. However, due to the fact that there are very few components to be easily worn out, it doesn't need regular service apart from usual cleaning work. Only the qualified people are allowed to be in charge of the repair job. It is strongly recommended that customers contact our company for the technical back-up or service when they feel unable to work out the technical hitch or problems.

- The newly installed welder or which haven't been in use for some time need s to be surveyed the insulation resistances between each winding and every winding to case with millimeter, which can not be less than 2,5MΩ.
- Keep from the rain, snow and long term exposing to sunlight when welder is used outdoor.
- If the welder is not in use either for a long time or temperature ranges from -25 ~ +55°C, and the relative humidity can not be more than 90%.
- The professional maintenance personnel should use dry compressed air (use air compressor or bellows) to remove the dust inside the machine. The part adhering to grease must be cleaned with cloth while make sure there are no loosing parts existed in the tightened places and connected cable. Usually the machine should be cleaned once a year if the dust accumulation problem is not very serious, while it needs cleaning once or even twice every quarter if the dust accumulation problem is serious.
- Regularly check the input & output cables of welder to guarantee them right and firmly connected and avoid them being exposed. Check should be taken once every month when fixed using and every check taken when removing.
- Regularly check the seal performance of gas system, whether the fan and feeder motor having abnormal sound and whether every joint being loose.
- Keep torch cable direct when welding.
- Regularly clean the splash of nozzle (cannot use the way similar to knocking the torch head) and stick to using splash ointment. Don't remove the feeder device by means of pulling he torch cable.
- Use qualified wire, no using inferior or rusty wire.
- Clean the dust of liner with compressed air after the welder using some time (the dust is accumulated by friction between wire and liner roll if find it wear and tear to prevent wire uneven feeding.
- The pressed roll can not be pressed too firm to guarantee smooth wire feeding. (It will lead to wire deformation, adding the feeding resistance and accelerating the friction of gear if pressed over firmly.)

### **WARNING:**

- The main loop voltage happens to be a bit higher, so safety precaution should be taken before repair to avoid accidental shock. The untrained people are forbidden to open the case.
- Power source needs to be cut off before dust removal.
- Never tamper with wire or damage the component parts when cleaning.

## 10. Troubleshooting

BREAKDOWN	ANALYSIS	SOLUTIONS
Yellow Indicator is on	Voltage is too high (>15%) Voltage is too low (<15%)	Switch off power source; Check the main supply; Restart welder when power recovers to normal state.
	Bad power ventilation lead to over-heat protection	Improve the ventilation condition.
	Circumstance temperature is too high.	It will automatically recover when the temperature low down.
	Using over the rated duty- cycle.	It will automatically recover when the temperature low down.
Wire feeding motor don't work	Potentiometer not in the proper status	Change potentiometer
	Nozzle is blocked up	Change nozzle
	Feed roller is loosen	Firm the bolts
Cooling Fan not working or turning very slowly	Switch broken	Replace the switch
	Fan broken	Replace or repair the fan
	Wire broken or falling off	Check the connection
Arc is not stable and splash is large	Too large contact tip makes the current unsteady	Change the proper contact tip or roller
	Too thin power cable makes the power astaticism	Change the power cable
	Too low input voltage	Enhance the input voltage
	Wire feeding resistance is too large	Clean or replace the liner and the torch cable had better in the line direction.
Arc can't be pilot	Earth cable break	Connect earth cable
	Work piece has much greasy dirty or rusty stain	Clean greasy dirty or rusty stain
No shielded gas	Torch is not connected well	Connect the torch again
	Gas pipe is pressed or blocked	Check gas system
	Gas system rubber pipe break	Connect gas system and bind firmly
Others		Please connect with our company

## 11. Complete Set Specification

Inverter MIG Welder.....	1
Operator's Manual.....	1
Torch.....	1
Earth Cable (clamp).....	1

## 12. Transport & Storage

- The machines should be free from rain and snow during transportation and storage. Keep notice of the warning sign on the packing box when load and unload. The warehouse should keep dry & ventilation and free from corrosive gas or dust. The tolerable temperature ranges from -25 + 55°C and the relative humidity can not be more than 90%.

- After the package has been opened, it is suggested to repack the product as per prior requirement for future storage and transport. (Cleaning job is required before storage and you must seal the plastic bag in the box for storage.)

- Users should keep the packing materials with the machine to keep well storage during the long transportation. If the machine need transfer, the wooden case is required. The sign such as 'Lift' and 'Free of rain' should be labeled on the case.

## 13. Warranty

Warranty refer to defects of materials and components and do not refer to components subject to natural wear and maintenance work.

Only machines cleaned from dust and dirt in original factory packing fully completed, provided with instruction manual, warranty card with fixed sales date with a shop stamp factory serial number and originals of sales and ware receipt issued by salesman are subjects of warranty. Within the warranty period the service center eliminate free of charge all detected production defects. The manufacturer disclaims warranty and legal responsibilities if nonobservance of the instruction manual by user, unqualified disassembling repair or maintenance of the machine as well does not bear responsibility for caused injury to persons or damages.

**ВНИМАНИЕ! ПЕРЕД ИСПОЛЬЗОВАНИЕМ СВАРОЧНОГО АППАРАТА ВНИМАТЕЛЬНО ОЗНАКОМЬТЕСЬ С ДАННОЙ ИНСТРУКЦИЕЙ.**

К использованию и обслуживанию сварочного аппарата допускается только квалифицированный и специально обученный персонал, ознакомленный с данной инструкцией.

В этой инструкции содержится описание, правила безопасности и вся необходимая информация для правильной эксплуатации сварочного аппарата FUBAG. Сохраняйте данную инструкцию и обращайтесь к ней при возникновении вопросов по безопасной эксплуатации, обслуживанию, хранению и транспортировке сварочного аппарата FUBAG.

## 1. Правила безопасности

- Всегда соблюдайте правила безопасности. Носите защитную одежду и специальные средства защиты, чтобы избежать повреждения глаз и кожных покровов.
- Всегда надевайте защитную маску во время работы сварочным аппаратом или используйте очки с защитным затемненным стеклом.
- Старайтесь, чтобы искры и брызги не попали на тело.
- Избегайте контактов с открытыми токоведущими кабелями сварочного аппарата, не прикасайтесь к горелке и свариваемой поверхности.
- Не работайте под водой или в месте с повышенной влажностью.
- Дым и газ, которые попадают в воздух при сварке, опасны для здоровья. Перед началом работ убедитесь, что вытяжка и вентиляция исправно работают.
- Убедитесь, что излучение дуги не попадет на других людей, находящихся поблизости от места сварки.
- Помните, что при сварке температура обрабатываемой поверхности повышается, поэтому старайтесь не прикасаться к обрабатываемым деталям во избежание ожогов.
- Не прикасайтесь к месту подключения питания или к другим частям сварочного аппарата, которые находятся под током. Отключайте питание сразу после окончания работы или перед тем, как оставить место работы.
- Никогда не работайте там, где существует опасность получения электрошока.
- Никогда не производите сварку емкостей, в которых могут содержаться легковоспламеняющиеся или взрывоопасные материалы.
- При высотных работах во избежание несчастного случая соблюдайте правила техники безопасности работы на высоте.
- Следите за тем, чтобы на рабочей площадке не было посторонних людей.
- Сварочные аппараты излучают электромагнитные волны и создают помехи для радиочастот, поэтому следите за тем, чтобы в непосредственной близости от аппарата не было людей, которые используют стимулятор сердца или другие принадлежности, для которых электромагнитные волны и радиочастоты создают помехи.



**ВНИМАНИЕ.** Сварочный аппарат находится под напряжением, поэтому прежде, чем приступить к его обслуживанию, следует обесточить его во избежание электрошока. Перед проведением любых работ всегда необходимо отключать источник питания. К работам со сварочным аппаратом допускаются только специалисты.

- Проверьте подключение входных и выходных кабелей, заземление и т.д.
- Техническое обслуживание должны выполнять только квалифицированные специалисты.
- Если ваш сварочный аппарат был только что установлен или к работе приступает новый оператор, следует проверить сопротивление изоляции между обмотками и кожухом.
- Время от времени следует проверять состояние сварочного кабеля. Если аппарат используется регулярно, его следует проверять не менее одного раза в месяц. Состояние сварочного кабеля также следует проверять, если сварочный аппарат используется как переносной.
- Если сварочный аппарат временно не используется или не используется продолжительное время, его следует хранить в сухом, хорошо проветриваемом помещении, не допуская попадания на него влаги, коррозионно-опасных или токсичных газов.
- Раз в год следует очищать сварочный аппарат от пыли. Проверьте, не ослаблены ли детали крепления аппарата, электромагнитную систему, ручки настройки тока и т.д.
- Наличие в воздухе пыли, а также едких и коррозионных веществ не должно превышать допустимых норм.
- Сварочный аппарат должен быть установлен в таком месте, где на него не будет попадать дождь и солнечные лучи. Его можно хранить в наименее влажном месте с температурой от -10 до 40°C.
- Необходимо обеспечить доступ воздуха к сварочному аппарату, для этого вокруг него должно быть свободное пространство не менее 50 см.
- Убедитесь, что на месте работы сварочного аппарата нет металлических или инородных предметов во избежание их попадания в аппарат.
- Не устанавливайте сварочный аппарат на вибрирующую поверхность.
- Сварочный аппарат должен быть установлен на горизонтальной поверхности, и если угол наклона составляет более 15°, следует создать условия для предотвращения его опрокидывания. Примите меры по защите от ветра, так как сварочный аппарат работает с защитным газом. Скорость ветра должна быть не больше 1,0 м/сек в противном случае необходимо использовать устройство для защиты от ветра.
- Убедитесь, что в месте установки сварочного аппарата отсутствуют посторонние помехи.
- Нельзя зажимать кабель сварочной горелки. Угол сгиба кабеля не должен быть слишком маленьким. Радиус канала направляющей не может быть меньше 300 мм иначе он может повредить внутренний кабель и привести к несчастному случаю.

## **Перед началом работы следует тщательно проверить:**

- чтобы не было короткого замыкания между кабелями сварочного аппарата;
- прочность соединения разъемов и кабелей.

Квалифицированный персонал должен регулярно проводить проверку сварочного аппарата в том случае, если он используется после длительного хранения или ремонта. Эти проверки включают следующие процедуры:

- проверку сварочного кабеля. Кабель должен быть заменен прежде, чем будет полностью изношен. Входной кабель должен быть заменен в случае повреждения;
- проверку мощности источника питания. Любой источник питания, использующийся для сварочного аппарата, должен быть оснащен защитными системами.

Если вы столкнулись с проблемами, с которыми не можете справиться, обращайтесь в Сервисный центр.



## 2. Технические характеристики

Параметр	IRMIG140	IRMIG160	IRMIG180
Входное напряжение, В	220		
Частота, Гц	50		
Номинальный потребляемый ток, А	25	28	30
Номинальная потребляемая мощность, кВА	5,5	6,2	6,6
Напряжение холостого хода, В	52	52	52
Минимальный сварочный ток MIG, А	30	30	30
Максимальный сварочный ток MIG, А	140	160	180
ПВ при максимальном сварочном токе MIG, %	35	30	25
Сварочный ток MIG при ПВ=100%, А	83	88	90
Производительность, %	85	85	85
Коэффициент мощности	0,92	0,92	0,75
Класс изоляции	H		
Степень защиты	IP21S		
Тип охлаждения	Воздушное принудительное		
Габаритные размеры (ДхШхВ), мм	570x300x370		
Вес, кг	11	11	12

Производитель имеет право вносить изменения как в содержание данной инструкции, так и в конструкцию сварочного аппарата без предварительного уведомления пользователей.

## 3. Описание

Инверторный аппарат для MIG сварки создан с использованием усовершенствованной технологии IGBT. Аппарат использует дугу между проволокой и свариваемым материалом в качестве источника тепла для плавления проволоки и обработки металла, и затем подает в зону сварки защитный газ, который образует сварочную ванну.

Основными характеристиками данного инверторного аппарата являются:

- Небольшой объем и легкий вес, из-за чего аппарат широко используется для выполнения обивочных, ремонтных работ и в полевых условиях.
- Великолепное зажигание дуги и перенос металла.
- Наличие различных средств защиты предохраняет аппарат от перегрева, перенапряжения, падения напряжения, чрезмерного тока и т.д.
- Высокая производительность. Благодаря автоматической подачи проволоки можно осуществлять сварку в быстром скоростном режиме.
- Нет никаких особых требований к применяемой сварочной проволоке. Подходят и твердые и флюсовые проволоки. Диаметр проволоки от 0,6 до 0,8 (1,0) мм.

## 4. Устройство, принцип и условия работы

Сварочный аппарат потребляет однофазный ток 220 В промышленной частоты через сетевой выключатель и выпрямляет его через однофазный выпрямительный мост и затем фильтрует через конденсатор для получения постоянного тока. Через IGBT инвертор получается переменный ток с частотой 40кГц. Затем этот переменный ток, преобразованный основным трансформатором и выпрямленный диодом с быстрым восстановлением обеспечивает стабильный постоянный ток для сварочного аппарата сразу же после его фильтрации индуктивностью. Скорость подачи проволоки можно постепенно регулировать с помощью рычага для регулировки скорости. Скорость подачи проволоки влияет на сварочный ток, чем выше скорость подачи проволоки, тем больше сила тока при одинаковом напряжении.



Панель управления сварочного аппарата оборудована регулятором сварочного тока и регулятором скорости подачи проволоки, индикатором включения питания и индикатором термозащиты. На задней панели расположен сетевой кабель, разъем для газового клапана, вентилятор охлаждения, контакт подачи тока, выключатель. На верхней части аппарата имеется ручка для удобной транспортировки.

### Необходимые условия окружающей среды:

- температура окружающей среды: при сварке  $-10 + 40^{\circ}\text{C}$ ;  
при транспортировке/хранении:  $-25 + 55^{\circ}\text{C}$
- относительная влажность: при  $40^{\circ}\text{C}$ :  $\leq 90\%$ , при  $20^{\circ}\text{C}$ :  $\leq 90\%$
- количество пыли, кислоты и грязи в воздухе в рабочей зоне не может превышать значение, указанное в нормативах (за исключением выбросов от сварочного аппарата).
- отсутствие сильной вибрации на рабочем месте
- высота над уровнем моря не больше 1000 м

### Требования к электропитанию:

- отклонение напряжения электропитания от нормы не должно превышать  $\pm 10\%$

## 5. Горелка

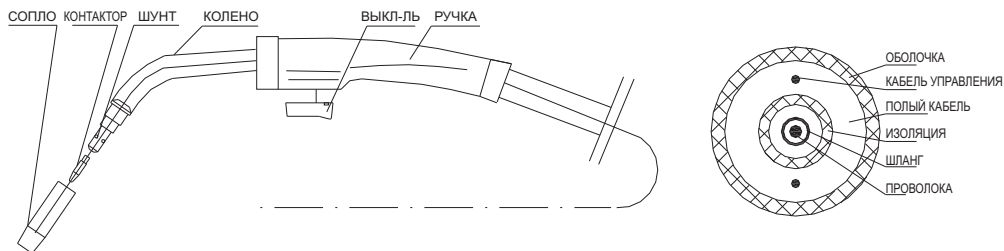
Сварочная горелка состоит из основы, соединительного кабеля и ручки. Основа соединяет сварочную горелку и устройство подачи проволоки.

Соединительный кабель: покрытый нейлоном направляющий канал помещен в центр полого кабеля. Внутренняя часть канала предназначена для подачи проволоки. Свободное пространство между каналом и полым кабелем предназначено для подачи защитного газа. Сам полный кабель предназначен для подачи тока.




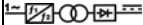
На ручке горелки установлено S-образное колено. На задней части горелки имеется соединение с полым кабелем, а с передней стороны шунт. Защитный газ проходит через шунт и образует в сопле хорошо сбалансированный поток воздуха, и затем выбрасывается струей наружу. Управление током осуществляется с помощью быстродействующего выключателя на ручке.

### Внимание:

- Перед сборкой и разборкой горелки или перед заменой компонентов необходимо отключить подачу электропитания
- Следует вовремя заменять сопло, так как его изношенность влияет на качество сварки. Распределитель горелки также следует менять в случае его поломки
- Необходимо заменять изношенный кабель горелки



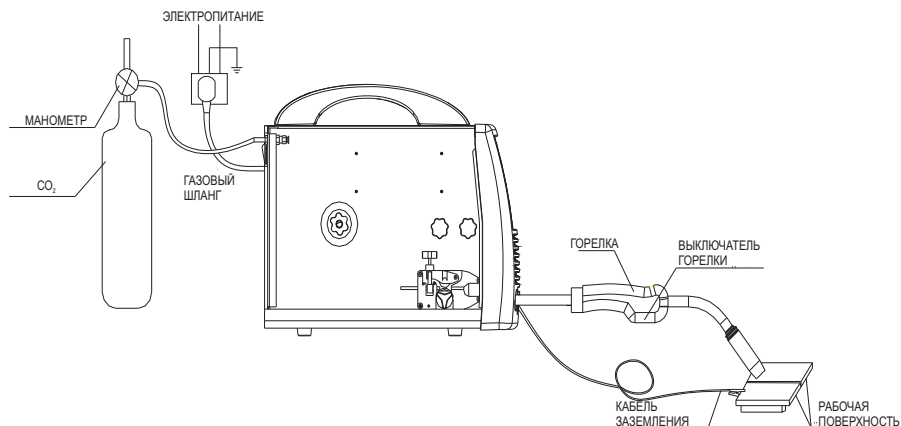
## 6. Расшифровка пиктограмм

СИМВОЛ	РАСШИФРОВКА
<b>A</b>	Ток (А)
<b>V</b>	Напряжение (В)
<b>Hz</b>	Частота (Гц)
	Заземление
<b>H</b>	Изоляция
<b>IP21</b>	Степень защиты
	Сварка постоянным током
	Характеристики электропитания
<b>U<sub>0</sub></b>	Номинальное напряжение в холостом режиме
<b>X</b>	Цикл
<b>I<sub>1</sub></b>	Номинальный входной ток
<b>I<sub>2</sub></b>	Номинальный сварочный ток
	Структура сварочного аппарата
<b>U<sub>1</sub></b>	Номинальный входное напряжение
<b>U<sub>2</sub></b>	Номинальный с нагрузкой

## 7. Установка

### Размещение сварочного аппарата

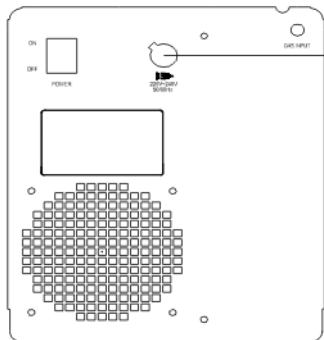
- Количество пыли, кислоты и грязи в воздухе в рабочей зоне не должно превышать значение, указанное в нормативах (за исключением выбросов от сварочного аппарата)
- Сварочный аппарат должен быть установлен в таком месте, где он не подвергается воздействию солнечного света и дождя. Также его следует хранить в наименее влажном месте при температуре от -10 до 40°C.
- Для обеспечения достаточной вентиляции расстояние над сварочным аппаратом должно быть 50 см
- Если внутренней вентиляции не достаточно, следует установить оборудование для устранения дыма и предохранения от ветра.



### Подсоединение источника питания

Подсоедините электрокабель к клеммам на задней панели к однофазной сети электропитания 220В с выключателем. Напряжение в 380В запрещено использовать, так как оно может серьезно повредить аппарат и иметь серьезные последствия для оператора.

**Внимание:** Ток предохранителя в 1,2 ~1,5 раза превышает его номинальный ток.



1-фазное  
напряжение  
220 В

Конфигурация электропитания для сварочного аппарата

Параметр	IR 140/160	IR 180/200
Прерыватель цепи, А	≥40	≥45
Плавкий предохранитель (номин. ток), А	30	40
Рубильник, А	35	45
Сетевой кабель, мм <sup>2</sup>	≥1,5	≥2,5

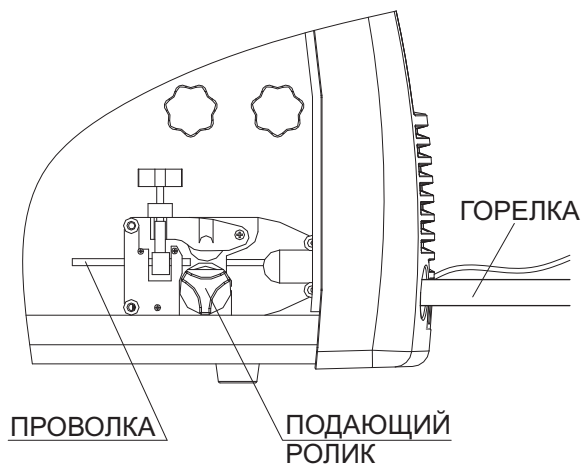
### Установки и соединения для проведения сварки в режиме MIG

#### Подсоединение и установка устройства для подачи проволоки

- Подберите необходимую проволоку в соответствии с технологией сварки. Диаметр проволоки должен соответствовать приводному ролику, направляющему каналу и контактному наконечнику.

- Откройте крышку барабана на устройстве для подачи проволоки. Поместите моток проволоки в барабан на подающем устройстве. **Внимание:** Конец проволоки должен находиться под барабаном, напротив подающего устройства.

- На барабане имеется блокировочный винт (при открытой крышке будет виден винт с шестигранной головкой). Потяните барабан рукой для регулировки. Если сопротивление слишком большое, возможно необходимо отрегулировать блокировочный винт: натяжение увеличивается при вращении по часовой стрелке, и наоборот.



- Поместите проволоку в направляющий канал подающего устройства, выровняйте проволоку в канале приводного ролика, перенаправьте Socket tip и нажмите на приводной ролик. (Если необходимо больше сварочной проволоки, ее можно получить после включения электропитания.)

#### **Подсоединение соединительного кабеля**

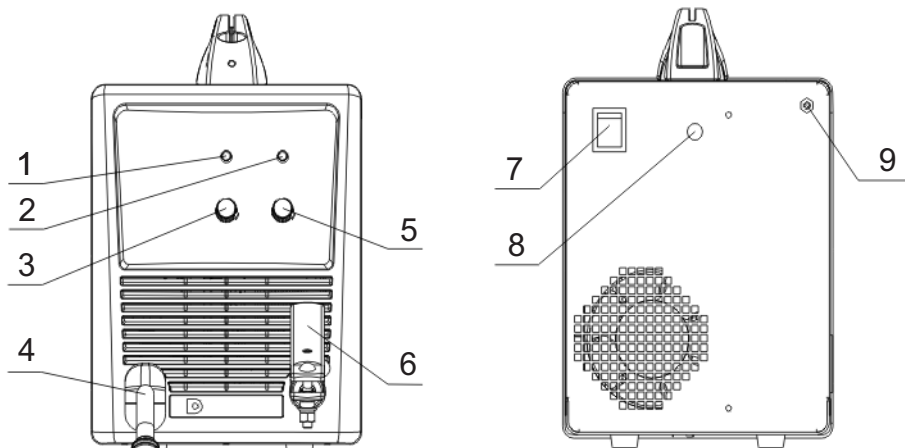
- Соедините медный наконечник зажима заземления, который проходит через отверстие для подачи проволоки на панели с контактом «-» соединительного наконечника. Соединительный кабель должен быть надежным в противном случае соединительный наконечник сгорит.

- Для достижения хорошей производительности при сварке флюсовой проволокой есть возможность подсоединить «+», «-» противоположно, чтобы двигатель подающего устройства был с «-», а соединительный кабель с «+».

**Внимание:** Не используйте стальную пластину или другие подобные материалы, которые являются плохими проводниками для заземления свариваемого материала.

## 8. Сварочные работы

**ВНИМАНИЕ:** Класс защиты данного инверторного аппарата IP21S. Запрещено засовывать в сварочный аппарат руки или круглые стержни (в особенности металлические). Нельзя применять силу при обращении со сварочным аппаратом.



1. Индикатор включения
2. Индикатор защиты
3. Регулятор сварочного напряжения
4. Голелка
5. Регулятор скорости подачи проволоки
6. Разъем кабеля заземления
7. Выключатель
8. Кабель электропитания
9. Разъем подсоединения подачи газа

### **Внимание:**

- Индикатор защиты загорится после долгого периода работы, что означает, что внутренняя температура превышает допустимое значение, в таком случае следует остановить аппарат на некоторое время и дать ему остыть. Работу можно продолжить после того, как индикатор защиты погаснет.

- После завершения работы или при временной остановке работы следует отключать электропитание.

- Сварщикам следует надевать холщевую защитную одежду и маски для защиты от повреждений, вызванных дугой и защиты от теплового излучения.

- В рабочей зоне следует установить светозащитный экран для защиты других людей.

- Запрещается хранить в рабочей зоне взрывчатые или легковоспламеняющиеся вещества.

- Все подсоединения к сварочному аппарату должны быть выполнены правильно и надежно.

### **Зачистка свариваемого материала перед выполнением сварки**

Проволока, направляющий канал и окружающая зона на расстоянии 10-20 мм должны быть очищены от ржавчины, маслянистой пыли, воды и краски и т.д.

### **Описание основного процесса сварки в режиме MIG**

#### **а) Регулировка перед проведением сварки**

- Установите горелку, газ и сварочную проволоку и затем включите электропитание. Индикатор включения горит и вентилятор работает.
- Включите газовый регулятор на газовой емкости, на счетчике будет показано давление газа
- Поверните газовый регулятор против часовой стрелки, ослабьте ролик, нажмите на выключатель горелки и затем отрегулируйте подачу газа в соответствии с техническими требованиями и затем снова нажмите на ролик для подачи проволоки.
- Держите выключатель горелки нажатым до тех пор, пока из сопла не появится проволока.
- При подаче проволоки, выпрямите кабель.
- При подаче проволоки убедитесь, что она надежно расположена в канале подающего ролика и скорость подачи равномерная. Если скорость подачи неравномерна, отрегулируйте натяжение подающего ролика.
- При использовании проволоки необходимо использовать подающее устройство с V-образным каналом.

#### **б) Сварка**

- При выполнении сварки, пожалуйста, отрегулируйте сварочный ток и сварочное напряжение в соответствии с установками.
- Нацелившись на линию сварки, нажмите выключатель горелки, подача проволоки будет осуществляться автоматически. Дуга возбуждается, как только проволока касается свариваемого материала. При сварке рабочий индикатор горит.

### **Описание процесса сварки флюсовой проволокой**

#### **а) Регулировка перед проведением сварки**

- Измените полярность на вертикальной панели, т.е. подсоедините провод горелки к контакту «-», кабель заземления к контакту «+».
- Установите горелку, газ и сварочную проволоку и затем включите электропитание. Индикатор включения горит и вентилятор работает.
- Держите выключатель горелки нажатым до тех пор, пока из сопла не появится проволока.
- При подаче проволоки, выпрямите кабель.
- При подаче проволоки убедитесь, что проволока надежно расположена в канале подающего ролика и скорость подачи равномерная. Если скорость подачи неравномерна, отрегулируйте натяжение подающего ролика.
- При использовании флюсовой проволоки необходимо использовать подающее устройство с каналом шестеренного типа.

#### **б) Сварка**

- При выполнении сварки, пожалуйста, отрегулируйте сварочный ток и сварочное напряжение в соответствии с установками.
- Нацелившись на линию сварки, нажмите выключатель горелки, подача проволоки будет осуществляться автоматически. Дуга возбуждается, как только проволока касается свариваемого материала. При сварке рабочий индикатор горит.



## 9. Техническое обслуживание

В отличие от стандартного сварочного аппарата, данный сварочный аппарат является усовершенствованным, в котором используются современные электронные компоненты и совершенная технология. Поэтому проведение технического обслуживания такого аппарата следует проводить только квалифицированному персоналу. Однако, в силу того, что в данном аппарате присутствует очень малое количество быстро изнашиваемых деталей, он не требует проведения регулярного сервисного обслуживания, за исключением очистки. Отвечать за выполнение данной работы могут только квалифицированные работники. Мы настоятельно рекомендуем покупателям в случае возникновения проблем, которые они неспособны решить собственными силами обращаться к нам для получения технической поддержки.

- У нового сварочного аппарата или аппарата, который не использовался в течение некоторого времени, необходимо проверить сопротивление изоляции между каждой обмоткой, которое не должно быть менее 2,5 МОм.

- Защищайте аппарат от дождя, снега и длительного воздействия солнечного света при использовании на улице.

- Если сварочный аппарат не используется долгое время, его следует хранить при температуре от -25°C до +55°C и относительная влажность не может быть более 90%.

- Профессиональный работник сервисной службы должен регулярно очищать сварочный аппарат от пыли сжатым сухим воздухом (воздушный компрессор или другое подобное устройство). Детали склонные к замасливанью должны очищаться тряпкой и одновременно можно также проводить осмотр на наличие неплотно закрепленных деталей внутри аппарата. В случае обнаружения скопления пыли необходима немедленная очистка. В нормальных условиях очистку необходимо проводить только один раз в год. В случае чрезмерного пылеобразования очистку следует проводить раз в квартал.

- Необходимо регулярно проверять входные и выходные кабели сварочного аппарата, для того, чтобы гарантировать их правильное и прочное соединение. Проверку необходимо проводить один раз в месяц и каждый раз перед тем как убирать аппарат на хранение.

- Регулярно проводите проверку герметичности системы газа, не наблюдается ли у вентилятора или двигателя подающего устройства ненормальных шумов и нет ли неплотных соединений.

- Регулярно очищайте сопло и прутки при помощи специальной мази для удаления расплавленного металла. Не снимайте подающее устройство потянув за кабель горелки.

- Используйте только качественную проволоку. Никогда не используйте ржавую проволоку или проволоку плохого качества.

- Счищайте пыль с роликового канала сжатым воздухом после длительного использования сварочного аппарата. (Накапливание пыли происходит из-за трения между проволокой и роликом и удалять ее необходимо для того, чтобы обеспечить ровную подачу проволоки.

- Для ровной подачи проволоки не рекомендуется слишком плотно прижимать ролик. (Слишком плотное прижатие приведет к деформации проволоки, увеличению сопротивления при подаче и увеличению трения механизма).

### **ВНИМАНИЕ:**

- Если напряжение основного контура немного повышается, следует принять все меры предосторожности перед выполнением ремонта, чтобы избежать случайного удара электрическим током. Неквалифицированным работникам запрещено открывать корпус аппарата!

- Перед проведением очистки от пыли необходимо отключить источник питания.

- Никогда не манипулируйте проводами и не повреждайте детали при проведении очистки.

## 10. Неисправности и их устранение

НЕИСПРАВНОСТЬ	ПРИЧИНА	УСТРАНЕНИЕ
Горит желтый индикатор	Напряжение слишком высоко ( $\geq 15\%$ )	Отключите электропитание. Проверьте сеть. Повторно запустите сварочный аппарат, когда напряжение достигнет нормального уровня
	Напряжение слишком низко ( $\leq 15\%$ )	
	Плохая вентиляция привела к срабатыванию защиты от перегрева	Проведите улучшение условий вентиляции
	Температура окружающей среды слишком высока	При понижении температуры индикатор автоматически погаснет
	Использование сверх рабочего цикла	При понижении температуры индикатор автоматически погаснет
Двигатель устройства для подачи проволоки не работает	Неверные установки потенциометра	Замените потенциометр.
	Сопло заблокировано	Замените сопло
	Подающий ролик неплотно прикреплен	Затяните болты
Вентилятор охлаждения не работает или вращается очень медленно	Выключатель сломан	Замените выключатель
	Вентилятор сломан	Замените или отремонтируйте вентилятор
	Поврежден или ослаб провод	Замените соединение
Дуга не стабильна и наблюдается большое количество брызг	Слишком большой контактный наконечник делает ток нестабильным	Замените контактный наконечник либо подающий ролик на подходящий
	Слишком тонкий сетевой кабель делает мощность нестабильно	Замените сетевой кабель
	Слишком низкое входное напряжение	Увеличьте входное напряжение
	Сопrotивление подачи проволоки слишком велико	Очистите либо замените канал и кабель горелки лучше всего в горизонтальном направлении
Дуга не возбуждается	Поврежден кабель заземления	Подсоедините кабель заземления
	На свариваемом материале большое жирное или ржавое пятно	Очистите жирное или ржавое пятно
Отсутствие защитного газа	Горелка подсоединена плохо	Снова подсоедините горелку
	Газовая трубка зажата или заблокирована	Проверьте систему газа
	Повреждена резиновая трубка в системе газа	Подсоедините систему газа и плотно закрепите
Другое		Пожалуйста, свяжитесь с нашей компанией

## 11. Комплектация

Инверторный аппарат.....	1 шт
Руководство по эксплуатации.....	1 шт
Горелка .....	1 шт
Кабель заземления (с зажимом заземления)....	1 шт

## 12. Хранение и транспортировка

- Аппарат следует беречь от попадания воды и снега. Обратите внимание на обозначения на упаковке. Тара для хранения должна быть сухой и со свободной циркуляцией воздуха и без наличия коррозионного газа или пыли. Диапазон допустимых температур от  $-25^{\circ}\text{C}$  до  $+55^{\circ}\text{C}$ , и относительная влажность не более 90%.

- После того, как упаковка была открыта, рекомендуется для дальнейшего хранения и транспортировки переупаковать аппарат. (Перед хранением рекомендуется провести очистку и запечатать пластиковый пакет, в который необходимо поместить аппарат перед помещением в коробку).

- У пользователей должны быть всегда в наличии упаковочные материалы для хранения аппарата. Если машина будет перемещаться во время транспортировки, тогда необходим деревянный ящик. На ящик необходимо поместить надпись «LIFT» или «Предохранять от дождя».

## 13. Гарантийные обязательства

Гарантийный срок на оборудование указывается в прилагаемом сервисном талоне.

Гарантия относится к дефектам в материалах и узлах и не распространяется на компоненты, подверженные естественному износу и работы по техническому обслуживанию.

Гарантийному ремонту подлежат только очищенные от пыли и грязи аппараты в заводской упаковке, полностью укомплектованные, имеющие инструкцию по эксплуатации, гарантийный талон с указанием даты продажи, при наличии штампа магазина, заводского номера и оригиналов товарного и кассового чеков, выданных продавцом.

В течение гарантийного срока Сервисный центр устраняет за свой счёт выявленные производственные дефекты. Производитель снимает свои гарантийные обязательства и юридическую ответственность при несоблюдении потребителем инструкции по эксплуатации, самостоятельной разборки, ремонта и технического обслуживания аппарата, а также не несет никакой ответственности за причиненные травмы и нанесенный ущерб.