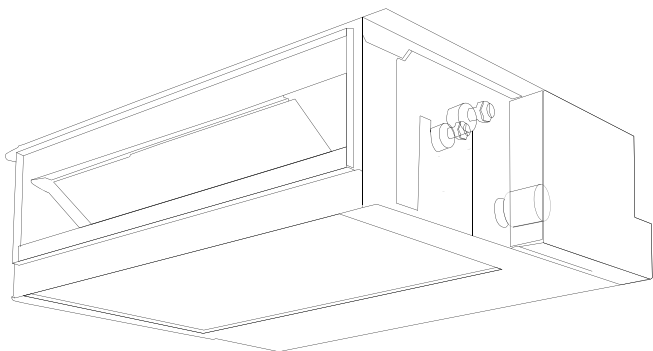




## Instruction manual Руководство по эксплуатации

*Электрический  
кондиционер воздуха,  
сплит-система*

*Electric air  
conditioner,  
split system*



### Модели/Models:

Электрический кондиционер воздуха, сплит-система (внутренний блок)

Electrical air conditioner, split system (indoor unit)

- AC TIM 18LC DT5
- AC TIM 24LC DT5
- AC TIM 36LC DT5
- AC TIM 48LC DT5
- AC TIM 60LC DT5

Электрический кондиционер воздуха, сплит-система (наружный блок)

Electrical air conditioner, split system (outdoor unit)

- AC TIM 18LC DT5-O1
- AC TIM 24LC DT5-O1
- AC TIM 36LC DT5-O1
- AC TIM 48LC DT5-O1
- AC TIM 60LC DT5-O1

Outlook of devices, also colour scores can be revised without any special advance notices.

Производитель вправе менять внешний вид прибора и цветовую гамму прибора без специального уведомления.

**Руководство по эксплуатации включает в себя гарантийный талон**

## CONTENTS

|                                |   |
|--------------------------------|---|
| 1. Important information       | 2 |
| 2. Safeguards                  | 2 |
| 3. Specifications              | 4 |
| 4. Appliance description       | 6 |
| 5. Delivery set                | 6 |
| 6. Appliance control           | 7 |
| 7. Operating modes             | 7 |
| 8. Maintenance                 | 8 |
| 9. 9. Troubleshooting          | 9 |
| 10. Transportation and storage | 9 |
| 11. Service life               | 9 |
| 12. Utilization rules          | 9 |

### Dear customer!

**We thank you for your happy choice and buying of a domestic air conditioner TIMBERK. It will serve you for a long time.**

**Is intended for cooling, heating, dehydration of air in domestic premises.**

## 1. IMPORTANT INFORMATION

The appliance is designed for air cooling in domestic premises. The manufacturer reserves the right to introduce changes in design, configuration and processing of the article with a view to improve its properties without any prior notification of customers. There may be some misprints in text and digital notations of the present manual.



### IMPORTANT!

If after reading of this manual you have any questions concerning work and operation of the appliance, please, refer to a shop assistant or to a specialized service center for further explanations.

The article has a label with all the needed technical data and other useful information about the appliance. Use the appliance only for its intended purpose indicated in this manual.

## 2. SAFEGUARDS

1. Do not attempt to install the air conditioner. Consult a qualified technician for installation.
2. When using conditioner, you must be a number of precautions. Improper use by ignoring safety precautions can result in damage to health user and others, as well as damage to their property.
3. The appliance should be monitored during its operation, especially when

far from it are children.

4. Do not insert fingers or foreign objects through the air release lattice indoor and outdoor units, as this can lead to injury from the rotating fan.

5. Do not allow children to independently include air conditioning. Children can include air conditioning only with adult supervision.

6. Do not try to repair the air conditioner. Domestic air conditioning units are under stress, it is dangerous to life! To repair the product, contact an authorized service center.

7. Do not use if it is defective, or if it is dropped or damaged.

8. Do not open the front panel of the device during its operation.

9. Do not disassemble or modify the device.

10. Immediately turn off the air conditioner from the electrical network if it goes from strange odors or smoke.

11. Do not spray or pour water or other liquids on the air conditioner.

12. Always unplug the air conditioner from the mains during a thunderstorm.

13. Always unplug the air conditioner from the mains when not in use.

14. Before cleaning and maintenance of the air conditioner disconnect from the mains. Cleaning and maintenance performed in accordance with the instructions of this manual.

15. To ensure the efficient operation of air conditioning using it in a temperature-humidity conditions specified in this manual.

16. Do not use dangerous chemicals to clean the device and do not let them hit on the device.

17. When removing the air filter does not touch the metal parts of the device.

18. To avoid overheating and fire risk and damage the internal electrical network, do not change the length of the cord and do not connect the device via electrical extension cords. an extension cord. However, you can use

19. To avoid electrical hazards, damaged power cord must be changed only at authorized service centers qualified professionals.

20. To avoid risk of electric shock, do not place the power cord near a heater and flammable or combustible substances.

21. Do not start or stop the unit by connecting or disconnecting electrical power.

22. To avoid electric shock, a damaged power cord should be replaced only

in authorized service centers by qualified specialists.

23. To avoid electric shock, don't place the power cord near heating appliances and flammable or combustible substances.

### 3. SPECIFICATIONS

| Model  | AC TIM 18LC DT5    | AC TIM 24LC DT5    | AC TIM 36LC DT5    | AC TIM 48LC DT5    | AC TIM 60LC DT5    |
|--|--------------------|--------------------|--------------------|--------------------|--------------------|
| Indoor unit  | AC TIM 18LC DT5    | AC TIM 24LC DT5    | AC TIM 36LC DT5    | AC TIM 48LC DT5    | AC TIM 60LC DT5    |
| Outdoor unit   | AC TIM 18LC DT5-01 | AC TIM 24LC DT5-01 | AC TIM 36LC DT5-01 | AC TIM 48LC DT5-01 | AC TIM 60LC DT5-01 |
| Capacity (cooling) (W)                               | 18000 (5300)       | 24000 (7200)       | 36000 (10600)      | 48000 (14000)      | 60000 (17600)      |
| Capacity (heating) (W)                               | 20000 (5800)       | 27500 (8080)       | 40000 (11700)      | 53000 (15500)      | 63500 (18500)      |
| Rated power consumption (cooling) W                  | 1732               | 2236               | 3732               | 4870               | 5709               |
| Rated power consumption (heating) W                  | 1790               | 2348               | 3500               | 5130               | 6000               |
| Power supply, V/Hz                                   | 220~/50            | 220~/50            | 380-420~/50        | 380-420~/50        | 380-420~/50        |
| Rated power current (cooling/heating) A              | 7.95/ 8.22         | 10,37/10,89        | 6.69/6,28          | 8.88/9,33          | 10,42/10,88        |
| Air circulation (indoor unit) m3/h                   | 1000/800/700       | 1400/1120/980      | 2000/1600/1400     | 2400/2000/1600     | 2400/2000/1600     |
| Air circulation (outdoor unit) m3/h                  | 2500               | 2750               | 3190               | 6400               | 6400               |
| Noise level (indoor unit) dB(A)                      | 44/41/35           | 47/44/38           | 50/47/41           | 53/50/44           | 53/50/44           |
| Noise level (outdoor unit) dB(A)                     | 55                 | 56                 | 62                 | 60                 | 60                 |
| Refrigerant  | R410A              | R410A              | R410A              | R410A              | R410A              |
| Energy efficiency (cooling/heating)                  | B/C                | A/B                | C/C                | C/D                | C/D                |
| Electrical protection class                          | I class            | I class            | I class            | I class            | I class            |
| Degree of protection against moisture (indoor unit)  | IPX0               | IPX0               | IPX0               | IPX0               | IPX0               |
| Degree of protection against moisture (outdoor unit) | IP24               | IP24               | IP24               | IP24               | IP24               |
| Refrigerant piping, Liquid side / Gas side, (mm)     | 1/4/1/2            | 3/8/5/8            | 3/8/5/8            | 3/8/3/4            | 3/8/3/4            |
| Max. refrigerant pipe length, m                      | 20                 | 30                 | 50                 | 50                 | 50                 |
| Maximum difference in level, m                       | 15                 | 15                 | 30                 | 30                 | 30                 |
| Filling of Freon, g                                  | 1250               | 1400               | 2150               | 2750               | 2900               |

| <b>Model</b>                              | <b>AC TIM 18LC DT3</b>    | <b>AC TIM 24LC DT3</b>    | <b>AC TIM 36LC DT3</b>    | <b>AC TIM 48LC DT3</b>    | <b>AC TIM 60LC DT3</b>    |
|---|---------------------------|---------------------------|---------------------------|---------------------------|---------------------------|
| <b>Indoor unit</b>                        | <b>AC TIM 18LC DT3</b>    | <b>AC TIM 24LC DT3</b>    | <b>AC TIM 36LC DT3</b>    | <b>AC TIM 48LC DT3</b>    | <b>AC TIM 60LC DT3</b>    |
| <b>Outdoor unit</b>                       | <b>AC TIM 18LC DT3-01</b> | <b>AC TIM 24LC DT3-01</b> | <b>AC TIM 36LC DT3-01</b> | <b>AC TIM 48LC DT3-01</b> | <b>AC TIM 60LC DT3-01</b> |
| Operating temperature range: cooling, ° C | +15~+49                   | +15~+49                   | +15~+49                   | +15~+49                   | +15~+49                   |
| Operating temperature range: heating, ° C | -15~+24                   | -15~+24                   | -15~+24                   | -15~+24                   | -15~+24                   |
| Net weight, indoor unit (kg)              | 34,0                      | 36,0                      | 36,0                      | 52,0                      | 52,0                      |
| Net weight, outdoor unit (kg)             | 38,0                      | 50,0                      | 71,0                      | 101,0                     | 102,0                     |
| Gross weight, indoor unit (kg)            | 40,0                      | 42,0                      | 42,0                      | 59,0                      | 59,0                      |
| Gross weight, outdoor unit (kg)           | 41,0                      | 54,0                      | 81,0                      | 112,0                     | 113,0                     |
| Net dimensions, indoor unit (mm)          | 890x785x290               | 890x785x290               | 890x785x290               | 1250x785x290              | 1250x785x290              |
| Net dimensions, outdoor unit (mm)         | 800x286x530               | 822x302x655               | 903x354x857               | 940x368x1366              | 940x368x1366              |
| Packing dimensions, indoor unit (mm)      | 1100x870x360              | 1100x870x360              | 1100x870x360              | 1460x870x360              | 1460x870x360              |
| Packing dimensions, outdoor unit (mm)     | 920x400x620               | 945x430x725               | 1030x410x980              | 1080x460x1500             | 1080x460x1500             |

## 4. APPLIANCE DESCRIPTION

The conditioner consists of indoor and outdoor units connected by pipelines. The conditioner is controlled from a remote control board or from a control panel of the indoor unit.

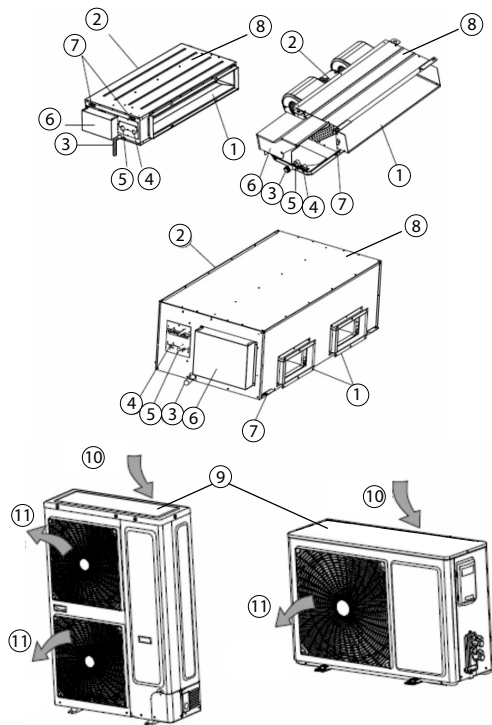


Fig. 1

## 5. DELIVERY SET

Complete set of air conditioner (split system) includes:

Conditioner unit for indoor installation - 1 piece

Conditioner unit for outdoor installation - 1 piece

Remote control - 1 piece

Batteries for remote control board - 2 pcs.

Operator's manual - 1 piece

Warranty card - 1 piece

Packing of indoor-installation unit - 1 piece

Packing of outdoor-installation unit - 1 piece

## 6. APPLIANCE CONTROL

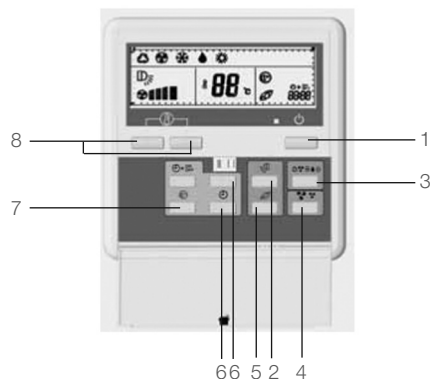


Fig. 3

«ON/OFF» button

You can start the air-conditioner by pressing this button and stop its operation by pressing it again.

1. «Air Swing» button»

Press this button, the horizontal wind direction vanes can swing automatically, when you have the desired vertical wind direction, press it again, the horizontal wind direction vanes will be stopped at the situation of your choice.

2. «Mode button»

This enables you to select different operation mode, after each pressing, the operation will be changed

3. «Air Velocity button»

You can select fan speed from «Low», «Mid», «High», «Auto».

5. «Health button»

Not available for this series

6. «Time» button

Press these buttons and you can set time for operation conditioner

7. «Sleep» button

Press this button and you can choose sleep operation mode

8. Temperature buttons

Press these buttons and set required temperature

In order to avoid malfunction of the remote control board do not insert used batteries or batteries of various types.

If the conditioner is not used for a long time, remove batteries from the board or else electrolyte may leak and damage the board.

In normal operation of the conditioner average service life of batteries will be about a half-year.

Replace batteries, if command receiving is not confirmed with an audio signal, or if the display does not show a sign of command transfer.

When generating commands from the remote control board, point an IR-radiator on a remote-control signal receiver situated on the indoor unit. Hold the remote control board at the distance of no more than 8 m from the indoor unit.

## 7. OPERATIONS MODES

### AUTO mode

The auto mode on and off is turned on and off with the use of the button «MODE» on the remote control board.

1. While working in the AUTO mode, a microprocessor will automatically select COOL, FAN, HEAT or DRY modes based on the difference between actual and preset air temperature indoors.

2. If the AUTO mode does not provide comfort conditions, select the mode manually.

COOL, HEAT and FAN

1. Turn the conditioner on pressing the «ON/OFF» button.

2. Pressing the «MODE» button, select COOL, HEAT or FAN mode manually.

3. Pressing the «TEMP» button (up-down), set the desired air temperature indoors (except for FAN mode).

4. Pressing the «FAN SPEED» button on the remote control board, select the fan rotation speed: AUTO, LOW, MIDDLE, HIGH, and the conditioner will start working in accordance with the selected setting.

5. To turn the conditioner off, press the «ON/OFF» button once again. In the FAN mode air temperature indoors is not set.

## DRY

Turn the conditioner on pressing the «ON/OFF» button. Pressing the «MODE» button, select the DRY mode. The conditioner will start working in the set mode. To turn the conditioner off, press the «ON/OFF» button once again.

## TIMER mode

Procedure of timing:

If the conditioner is off, then press the "TIMER" button to activate the automatic turning on. Pressing this button once again, set the time for turning the conditioner on in the set time interval. To cancel the timer mode, press the "TIMER" button once again.

If the conditioner is working, then press the "TIMER" button to activate the automatic turning off. Pressing this button once again, set the time for turning the conditioner off in the set time interval. To cancel the timer mode, press the "TIMER" button once again.

## «SLEEP» mode

Using this button, you may turn the sleep mode on and off. In this mode the fan rotation speed will be low.

When the function «SLEEP», if the air conditioner operates in cooling mode, set temperature will increase 1°C in 2 hours and 2°C over 5 hours. When the function «SLEEP», if the air conditioner operates in heating mode, the set temperature will decrease 2°C in 1 hour and another 4°C within 2 hours of work. After 7 hours in SLEEP mode air conditioner turns off.

## 8. MAINTENANCE



### ATTENTION!

Maintenance and service air conditioner must carry out specialist.

Before cleaning switch the conditioner off.

Cleaning of the indoor unit and remote control board:

Indoor unit and remote control board should be cleaned with a dry soft cloth.

If the indoor unit is too unclean, moisten the cloth with cold water.

It is prohibited to clean the remote control board with moist cloth.

In order to avoid the damage of paint or details of the conditioner, do not clean it with brushes and do not leave them on the surface of indoor unit.

In order to avoid the damage of surface or deformation of the conditioner details, do not clean it with petrol, solvents, cleaning powders or other chemically active substances.

Before a sustained interruption in the conditioner work:

Turn the conditioner on for several hours in the FAN mode. It will allow you to dry its inner cavities

Switch the conditioner off.

Remove the batteries from the remote control board.

Checks before starting:

Make sure that air inlet and return air grillages of the outdoor unit are not blocked by foreign objects.



## 9. TROUBLESHOOTING

In case of emergency, please, use the troubleshooting methods shown in tables. If it is impossible to solve problems with these methods, apply to the service center.

| Failure   | Possible reason  | Actions   |
|---|--|---|
| The conditioner does not work                             | Interruptions in power supply  | Wait for restoration of power supply  |
|   | Batteries in the remote control board are low                                    | Replace the batteries   |
|   | Time of turning on is set by the timer   | Wait till the conditioner turns on by the timer or cancel the timer setting |
| Insufficient cooling or heating capacity                  | The set air temperature is too high or too low                                   | Set the air temperature correctly   |
|   | The air filter is clogged with dust  | Clean the air filter  |
|   | Foreign objects block the air inlet and return air grillages of the outdoor unit | Remove foreign objects  |
| The conditioner works, but does not cool or heat the room | A three-minute delay of compressor turning on                                    | Wait a little   |
|   | The air temperature is set incorrectly   | Set the temperature correctly   |

## 10. TRANSPORTATION AND STORAGE

| Temperature requirements* | Transportation and storage | From -30° to +50°                      |
|---------------------------|----------------------------|--|
| Humidity requirements*    |                            | From 15% to 85% (without a condensate) |

We are exploring new technologies and we constantly improving the quality of our products. That's why specifications, design and accessories are subject to change without any specific notice.

\* This product must have storage in dry, well-ventilated space of warehouse at the temperature not lower than -30°

## 11. SERVICE LIFE

Service life of the appliance is 10 years provided that the respective installation and operation rules are observed.

Date of the conditioner manufacture is shown in a serial number of the device. For more details, please, ask a shop assistant.

## 12. UTILIZATION RULES

Upon expiration of the service life, the appliance should be utilized in accordance with norms, regulations and procedures effective in the place of utilization.



## СОДЕРЖАНИЕ\*

|                               |    |
|-------------------------------|----|
| 1. Важная информация          | 11 |
| 2. Меры предосторожности      | 12 |
| 3. Технические характеристики | 13 |
| 4. Описание прибора           | 15 |
| 5. Комплект поставки          | 15 |
| 6. Управление прибором        | 16 |
| 7. Режимы работы              | 16 |
| 8. Обслуживание               | 17 |
| 9. Гарантийный талон          | 18 |

\* Руководство по эксплуатации может быть дополнено приложением №1, которое является неотъемлемой частью Руководства по эксплуатации.

## Уважаемый покупатель!

Благодарим Вас за удачный выбор и приобретение бытового кондиционера воздуха TIMBERK.

Он прослужит Вам долго.

Электрический кондиционер воздуха предназначен для охлаждения, обогрева и осушения воздуха в бытовом помещении.

Просим вас внимательно ознакомиться с руководством по эксплуатации перед тем, как вы начнете эксплуатацию изделия.

## 1. ВАЖНАЯ ИНФОРМАЦИЯ

Прибор предназначен для охлаждения воздуха в бытовых помещениях.

Производитель оставляет за собой право без предварительного уведомления покупателя вносить изменения в конструкцию, комплектацию или технологию изготовления изделия с целью улучшения его свойств. В тексте и цифровых обозначениях данного руководства могут быть допущены опечатки.

Если после прочтения руководства у Вас останутся вопросы по работе и эксплуатации прибора, обратитесь к продавцу или в специализированный сервисный центр для получения разъяснений.



### ВНИМАНИЕ:

На изделии присутствует этикетка, на которой указаны все необходимые технические данные и другая полезная информация о приборе. Используйте прибор только по назначению, указанному в данном руководстве.

## 2. МЕРЫ ПРЕДОСТОРОЖНОСТИ

1. Не пытайтесь самостоятельно устанавливать кондиционер. Обратитесь к квалифицированному специалисту по установке.
2. При использовании кондиционера, необходимо соблюдать ряд мер предосторожности. Неправильная эксплуатация в силу игнорирования мер предосторожности может привести к причинению вреда здоровью пользователя и других людей, а также нанесению ущерба их имуществу.
3. Электроприбор должен находиться под наблюдением во время его эксплуатации, особенно, если неподалёку от него находятся дети.
4. Не просовывайте пальцы или посторонние предметы через воздуховыпускную решетку внутреннего и наружного блоков, так как это может привести к травме от вращающегося вентилятора.
5. Не разрешайте детям самостоятельно включать кондиционер. Дети могут включать кондиционер только под присмотром взрослых.
6. Не пытайтесь самостоятельно ремонтировать кондиционер. Внутренние агрегаты кондиционера находятся под напряжением, это опасно для жизни! Для ремонта изделия обращайтесь в авторизованный сервисный центр.
7. Не используйте устройство, если оно неисправно, или если его уронили или повредили.
8. Не открывайте лицевую панель устройства во время его работы.
9. Не разбирайте и не модифицируйте устройство.
10. Незамедлительно отключите кондиционер от электрической сети, если от него идут странные запахи или дым.
11. Не брызгайте и не лейте воду и другие жидкости на кондиционер.
12. Всегда отключайте кондиционер от электрической сети во время грозы.
13. Всегда отключайте кондиционер от электрической сети, когда он не используется.
14. Перед началом чистки и технического обслуживания кондиционера отключите его от электрической сети. Чистку и техническое обслуживание производите в соответствии с указаниями данного руководства по эксплуатации.
15. Для обеспечения эффективной работы кондиционера эксплуатируйте его в температурно-влажностных условиях, указанных в данном

руководстве по эксплуатации.

16. Не используйте опасные химические вещества для чистки устройства и не допускайте их попадания на прибор.
17. При снятии воздушного фильтра не касайтесь металлических частей устройства.
18. Во избежание перегрева и риска возникновения пожара, а также повреждения внутренней электрической сети, не изменяйте длину сетевого шнура и не подключайте устройство через электрические удлинители.
19. Во избежание опасности поражения электрическим током, поврежденный сетевой шнур должен меняться только в авторизованных сервисных центрах квалифицированными специалистами.
20. Во избежание опасности поражения электрическим током не размещайте шнур питания рядом с нагревательными приборами и легко воспламеняющимися или горючими веществами.
21. Не запускайте и не останавливайте устройство посредством подключения или отключения электрического питания.
22. Не нажимайте кнопки на пульте дистанционного управления (ПДУ), чем либо, помимо ваших пальцев.
23. Не используйте устройство, в целях, не предусмотренных этим руководством по эксплуатации.

### 3. ТЕХНИЧЕСКИЕ ХАРАКТЕРИСТИКИ

| Модель  | AC TIM 18LC DT5    | AC TIM 24LC DT5    | AC TIM 36LC DT5    | AC TIM 48LC DT5    | AC TIM 60LC DT5    |
|---|--------------------|--------------------|--------------------|--------------------|--------------------|
| Внутренний блок                                   | AC TIM 18LC DT5    | AC TIM 24LC DT5    | AC TIM 36LC DT5    | AC TIM 48LC DT5    | AC TIM 60LC DT5    |
| Наружный блок                                     | AC TIM 18LC DT5-01 | AC TIM 24LC DT5-01 | AC TIM 36LC DT5-01 | AC TIM 48LC DT5-01 | AC TIM 60LC DT5-01 |
| Выходная мощность (охлаждение) (Вт)               | 18000 (5300)       | 24000 (7200)       | 36000 (10600)      | 48000 (14000)      | 60000 (17600)      |
| Выходная мощность (обогрев) (Вт)                  | 20000 (5800)       | 27500 (8080)       | 40000 (11700)      | 53000 (15500)      | 63500 (18500)      |
| Номинальная потребляемая мощность (охлаждение) Вт | 1732               | 2236               | 3732               | 4870               | 5709               |
| Номинальная потребляемая мощность (обогрев) Вт    | 1790               | 2348               | 3500               | 5130               | 6000               |
| Параметры электропитания В/Гц                     | 220~/50            | 220~/50            | 380-420~/50        | 380-420~/50        | 380-420~/50        |
| Номинальная сила тока (охлаждение/обогрев) А      | 7,95/ 8,22         | 10,37/10,89        | 6,69/6,28          | 8,88/9,33          | 10,42/10,88        |
| Расход воздуха (внутренний блок) м3/ч             | 1000/800/700       | 1400/1120/980      | 2000/1600/1400     | 2400/2000/1600     | 2400/2000/1600     |
| Расход воздуха (наружный блок) м3/ч               | 2500               | 2750               | 3190               | 6400               | 6400               |
| Уровень шума (внутренний блок) Дб(А)              | 44/41/35           | 47/44/38           | 50/47/41           | 53/50/44           | 53/50/44           |
| Уровень шума (наружный блок) Дб(А)                | 55                 | 56                 | 62                 | 60                 | 60                 |
| Тип фреона  | R410A              | R410A              | R410A              | R410A              | R410A              |
| Класс энергоэффективности (охлаждение/обогрев)    | B/C                | A/B                | C/C                | C/D                | C/D                |
| Класс электробезопасности                         | I class            | I class            | I class            | I class            | I class            |
| Степень защиты от влаги (внутренний блок)         | IPX0               | IPX0               | IPX0               | IPX0               | IPX0               |
| Степень защиты от влаги (наружный блок)           | IP24               | IP24               | IP24               | IP24               | IP24               |
| Диаметр труб, жидкость/газ, мм                    | 1/4/1/2            | 3/8/5/8            | 3/8/5/8            | 3/8/3/4            | 3/8/3/4            |

| <b>Модель</b>                                 | <b>AC TIM 18LC DT5</b>    | <b>AC TIM 24LC DT5</b>    | <b>AC TIM 36LC DT5</b>    | <b>AC TIM 48LC DT5</b>    | <b>AC TIM 60LC DT5</b>    |
|---|---------------------------|---------------------------|---------------------------|---------------------------|---------------------------|
| <b>Внутренний блок</b>                        | <b>AC TIM 18LC DT5</b>    | <b>AC TIM 24LC DT5</b>    | <b>AC TIM 36LC DT5</b>    | <b>AC TIM 48LC DT5</b>    | <b>AC TIM 60LC DT5</b>    |
| <b>Внешний блок</b>                           | <b>AC TIM 18LC DT5-01</b> | <b>AC TIM 24LC DT5-01</b> | <b>AC TIM 36LC DT5-01</b> | <b>AC TIM 48LC DT5-01</b> | <b>AC TIM 60LC DT5-01</b> |
| Максимальная длина трассы, (м)                | 20                        | 30                        | 50                        | 50                        | 50                        |
| Максимальная перепад высот между блоками, (м) | 15                        | 15                        | 30                        | 30                        | 30                        |
| Заправочный вес фреона                        | 1250                      | 1400                      | 2150                      | 2750                      | 2900                      |
| Диапазон рабочих температур: охлаждение, °C   | +15~+49                   | +15~+49                   | +15~+49                   | +15~+49                   | +15~+49                   |
| Диапазон рабочих температур: обогрев, °C      | -15~+24                   | -15~+24                   | -15~+24                   | -15~+24                   | -15~+24                   |
| Вес нетто, внутренний блок (кг)               | 34,0                      | 36,0                      | 36,0                      | 52,0                      | 52,0                      |
| Вес нетто, наружный блок (кг)                 | 38,0                      | 50,0                      | 71,0                      | 101,0                     | 102,0                     |
| Вес брутто, внутренний блок (кг)              | 40,0                      | 42,0                      | 42,0                      | 59,0                      | 59,0                      |
| Вес брутто, наружный блок (кг)                | 41,0                      | 54,0                      | 81,0                      | 112,0                     | 113,0                     |
| Размеры прибора, внутренний блок (мм)         | 890x785x290               | 890x785x290               | 890x785x290               | 1250x785x290              | 1250x785x290              |
| Размеры прибора, наружный блок (мм)           | 800x286x530               | 822x302x655               | 903x354x857               | 940x368x1366              | 940x368x1366              |
| Размеры в упаковке, внутренний блок (мм)      | 1100x870x360              | 1100x870x360              | 1100x870x360              | 1460x870x360              | 1460x870x360              |
| Размеры в упаковке, наружный блок (мм)        | 920x400x620               | 945x430x725               | 1030x410x980              | 1080x460x1500             | 1080x460x1500             |

## 4. ОПИСАНИЕ ПРИБОРА

Кондиционер состоит из внутреннего и наружного блоков, соединенных трубопроводами. Управление кондиционером осуществляется с пульта дистанционного управления или с панели управления внутреннего блока.

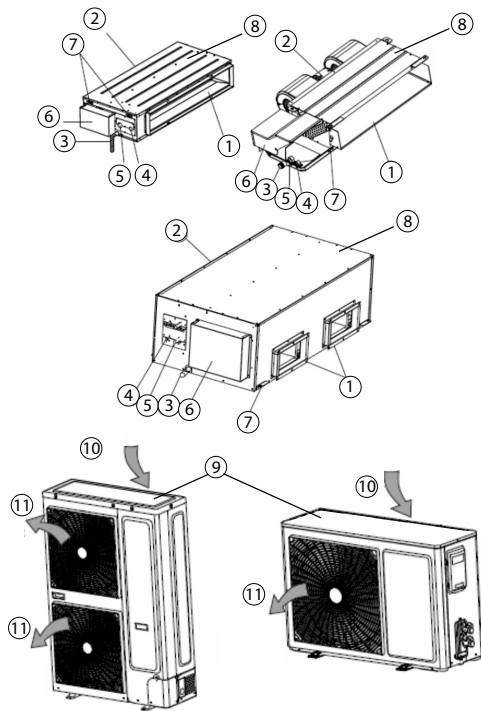


Рис. 1

1. Воздуховыпускные отверстия внутреннего блока.
2. Воздухозаборные отверстия внутреннего блока.
3. Трубка для отвода конденсата.
4. Трубка фреона (жидкость)
5. Трубка фреона (газ)
6. Плата управления
7. Крюк
8. Блок внутренней установки
9. Блок кондиционера для наружной установки вне помещения
10. Воздухозаборные решетки наружного блока.
11. Воздуховыпускная решетка наружного блока.

## 5. КОМПЛЕКТ ПОСТАВКИ

В комплектацию кондиционера воздуха (сплит-системы) входит:

Блок кондиционера для внутренней установки - 1 шт.

Блок кондиционера для наружной установки - 1 шт.

Пульт управления - 1 шт.

Элементы питания для пульта ДУ - 2 шт.

Руководство по эксплуатации - 1 шт.

Гарантийный талон - 1 шт.

Упаковка блока внутренней установки - 1 шт.

Упаковка блока наружной установки - 1 шт.

## 6. УПРАВЛЕНИЕ ПРИБОРОМ

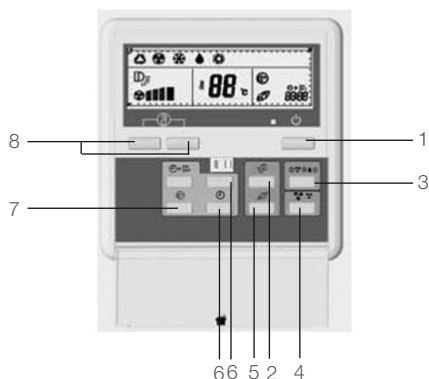


Рис. 3

### 1. “ON/OFF” кнопка

С помощью данной кнопки можно включить или выключить кондиционер.

### 2. “Air Swing”кнопка

С помощью данной кнопки можно регулировать положение воздухо-выпускных заслонок.

### 3. “Mode”кнопка

С помощью данной кнопки можно выбрать необходимый режим работы: Автоматический, Охлаждение, Осушение, Обогрев, Вентиляция.

### 4. “Air Velocity” кнопка

С помощью данной кнопки можно выбрать скорость вращения вентилятора внутреннего блока: Автоматическая

«Auto», Высокая «High», Средняя «Mid», Низкая «Low».

### 5. “Health” кнопка

Недоступна для данной серии

### 6. “Time” кнопка

С помощью данной кнопки можно устанавливать время включения и выключения кондиционера по таймеру (от 1 до 24 часов). Если кондиционер выключен, вы можете установить время до автоматического включения через заданный отрезок времени и наоборот, если кондиционер включен, вы можете установить время на автоматическое выключение.

### 7. “Sleep” кнопка

С помощью данной кнопки можно включать и выключать ночной режим работы. В данном режиме скорость вращения вентилятора будет низкой.

### 8. Temperature кнопка

С помощью данной кнопки задается необходимая пользователю температура воздуха в помещении.

## 7. РЕЖИМЫ РАБОТЫ

### Автоматический режим работы

Включение и выключение автоматического режима работы происходит с помощью кнопки «MODE» на пульте ДУ.

1. При работе в АВТОМАТИЧЕСКОМ режиме микропроцессор автоматически выбирает режимы ОХЛАЖДЕНИЯ, ВЕНТИЛЯЦИИ, ОБОГРЕВА или ОСУШЕНИЯ по разнице между фактической и предустановленной температурой воздуха в помещении.
2. Если АВТОМАТИЧЕСКИЙ режим работы не обеспечивает комфортные условия, выберите режим работы кондиционера вручную.

Охлаждение, обогрев и вентиляция (cool, heat, fan)

1. Включите кондиционер, нажав кнопку «ON/OFF».
2. Нажимая кнопку «MODE», выберите режим ОХЛАЖДЕНИЯ (COOL), ОБОГРЕВА (HEAT) или ВЕНТИЛЯЦИИ (FAN) вручную.
3. Нажимая кнопки «TEMP» (вверх-вниз), задайте желаемую температуру воздуха в помещении (кроме режима ВЕНТИЛЯЦИИ).
4. Нажимая кнопку «FAN SPEED» на пульте ДУ, выберите скорость



вращения вентилятора: АВТОМАТИЧЕСКАЯ, НИЗКАЯ, СРЕДНЯЯ, ВЫСОКАЯ, кондиционер начнет работать в соответствии с выбранной настройкой.

5. Для отключения кондиционера снова нажмите кнопку «ON/OFF». В режиме ВЕНТИЛЯЦИЯ температура воздуха в помещении не задается.

#### **Осушение (DRY)**

Включите кондиционер, нажав кнопку «ON/OFF». Нажимая кнопку «MODE», выберите режим ОСУШЕНИЕ (DRY). Кондиционер начинает работу в данном режиме. Для отключения кондиционера снова нажмите кнопку «ON/OFF».

#### **Режим работы по таймеру (TIMER)**

Порядок настройки таймера:

Если кондиционер выключен, то для активации автоматического включения по таймеру нажмите кнопку "TIMER". Повторно нажимая данную кнопку, задайте время включения кондиционера через установленный промежуток времени. Для отмены режима работы по таймеру повторно нажмите кнопку "TIMER". Если кондиционер работает, то для активации автоматического отключения по таймеру нажмите кнопку "TIMER". Повторно нажимая данную кнопку, задайте время отключения кондиционера через установленный промежуток времени. Для отмены режима работы по таймеру повторно нажмите кнопку "TIMER".

#### **Ночной режим работы «SLEEP»**

С помощью данной кнопки можно включать и выключать ночной режим работы. В данном режиме скорость вращения вентилятора будет низкой.

При включении функции «SLEEP», если кондиционер работает в режиме охлаждения, заданная температура увеличится через час на 1 °С, через 2 часа на 2 °С, через 8 часов работы кондиционер отключится. При включении функции «SLEEP», если кондиционер работает в режиме обогрева, заданная температура снизится на 2°С через 1 час и ещё на 2°С через 2 часа работы. Через 8 часов работы в режиме SLEEP кондиционер отключится.

## 8. ОБСЛУЖИВАНИЕ



### **ПРИМЕЧАНИЕ:**

Уход и обслуживание кондиционера должен осуществлять специалист.

Перед тем, как приступить к чистке, отключите кондиционер от электросети.

Чистка внутреннего блока и пульта дистанционного управления:

- Чистку внутреннего блока и пульта ДУ выполняйте сухой мягкой тканью.
- Если внутренний блок слишком загрязнен, смочите ткань холодной водой.
- Запрещается чистить влажной тканью пульт ДУ.
- Во избежание повреждения краски или деталей кондиционера не пользуйтесь для чистки щетками и не оставляйте их на поверхности внутреннего блока.
- Во избежание повреждения поверхности или деформации деталей кондиционера не пользуйтесь для чистки бензином, растворителями, чистящими порошками или другими химически активными веществами.

Перед длительным перерывом в работе кондиционера:

- Включите кондиционер на несколько часов в режиме вентиляции. Это позволит полностью просушить его внутренние полости
- Отключите кондиционер от электросети.
- Извлеките из пульта ДУ элементы питания.



## ГАРАНТИЙНЫЙ ТАЛОН



**Уважаемый покупатель!**

**Обратите внимание на необходимость вашей подписи  
на стр. 18**

[www.timberk.com](http://www.timberk.com)

## Гарантийные обязательства

**Гарантийное обслуживание и ремонт электрического кондиционера воздуха TIMBERK с соблюдением требований и норм Изготовителя (TIMBERK) производится на территории РФ только в авторизованных сервисных центрах Изготовителя или мастерских, уполномоченных производителем и работающих с ним на основании договора.**

**Срок проведения экспертизы и гарантийного ремонта - не более 45 дней с момента приемки дефектного изделия авторизованным сервисным центром TIMBERK.**

Если при эксплуатации изделия Вы столкнулись с неполадками в его работе, которые Вы не можете устранить самостоятельно в строгом соответствии с Руководством по эксплуатации изделия, обратитесь к региональному представителю Изготовителя в России или в региональный авторизованный сервисный центр TIMBERK, уточнив адрес у продавца.

Полный перечень сервисных центров указан на сайте: [www.timberk.com](http://www.timberk.com) или приложен отдельным списком в комплекте с изделием.

Также Вы можете обратиться в уполномоченную сервисную службу Изготовителя по телефону: +7 (495) 627-5285, либо по телефонам, указанным на сайте: [www.timberk.com](http://www.timberk.com), или отправить сообщение по электронному адресу: [ru.service@timberk.com](mailto:ru.service@timberk.com)

Если отсутствие надлежащим образом заполненного гарантийного талона на изделие или отсутствие чека с указанием изделия не позволяет идентифицировать изделие и факт его продажи на территории РФ, то Изготовитель вправе отказать в гарантийном обслуживании изделия.

При невозможности определить дату продажи изделия, гарантийный срок исчисляется с даты его производства.

Дата производства изделия определяется по реестру Изготовителя в соответствии с серийным номером изделия.

Официальный срок службы электрического кондиционера воздуха TIMBERK, установленный изготовителем, составляет 10 лет, со дня передачи изделия потребителю.

Указанный срок службы действителен только при условии соблюдения правил эксплуатации и правильного ухода за изделием.

Во избежание недоразумений убедительно просим Вас внимательно

изучить Руководство по эксплуатации изделия и условия гарантийных обязательств, проверить правильность заполнения бланка гарантийного талона. Согласно требованиям Изготовителя, гарантийный талон действителен только при наличии четко и правильно указанных данных: модели, серийного номера изделия, даты покупки, данных фирмы-продавца, подписи покупателя. Соответствующие данные также должны быть указаны продавцом на отрывных талонах. В гарантийном талоне обязательным является указание даты запуска изделия в эксплуатацию и штамп уполномоченной организации, произведшей запуск в эксплуатацию.

При проведении планового профилактического обслуживания изделия специалист сервисного центра должен заполнить соответствующую часть гарантийного талона, поставить подпись и печать сервисного центра.

Модель и серийный номер изделия (на маркировочной (идентификационной) наклейке Изготовителя на изделии (TIMBERK ID) должны соответствовать указанным в гарантийном талоне продавцом. При нарушении этих условий, а также в случае, когда данные, указанные в гарантийном талоне, изменены или стерты, талон может быть признан недействительным.



### ВНИМАНИЕ!

**Производитель рекомендует приобретать приборы Timberk только у авторизованных продавцов (см. условия на стр. 25).**

Данным гарантийным талоном Изготовитель подтверждает принятие на себя обязательств по удовлетворению законных требований потребителей в случае обнаружения недостатков изделия, возникших по вине Изготовителя в течение установленного гарантийного срока.

Гарантийный срок для электрического кондиционера воздуха TIMBERK, установленный изготовителем, составляет 2 года, со дня передачи изделия потребителю.

## Увеличенный гарантийный срок\*

Увеличенный гарантийный срок для компрессора кондиционера воздуха TIMBERK составляет 3 года\*, со дня передачи изделия потребителю.

Гарантийные обязательства дополняют и уточняют оговоренные законом обязательства, предполагающие соглашение сторон либо договор; выдаются Изготовителем в дополнение к законным правам потребителей и ни в коей мере их не ограничивают.

Гарантия Изготовителя действительна только на территории РФ на изделия, купленные на территории РФ и изготовленные для РФ.

### Изготовитель оставляет за собой право:

- отказать в гарантийном сервисном обслуживании изделия в случае несоблюдения изложенных ниже условий (см. «Досрочное прекращение гарантийного обслуживания»);
- самостоятельно инициировать независимую экспертизу для выяснения обстоятельств, приведших к выходу прибора из строя;
- сравнивать предоставленную маркировочную (идентификационную) наклейку изделия (TIMBERK ID) с данными реестров производства для проверки соответствия серийного номера изделия уникальным производственным номерам реестров.
- предоставлять дополнительную гарантию; информация об условиях дополнительной гарантии содержится на сайте: [www.timberk.com](http://www.timberk.com).

Просим Вас хранить Гарантийный талон в течение всего гарантийного срока, установленного Изготовителем на приобретенное Вами изделие.

При покупке изделия требуйте от продавца проверку его комплектности и отсутствия механических повреждений в Вашем присутствии, а также правильного и четкого заполнения данного гарантийного талона. Претензии по некомплектности и выявленным механическим повреждениям после продажи не принимаются. Для гарантийного ремонта предъявляйте данный Гарантийный талон вместе с товарным

\* - увеличенный гарантийный срок на отдельные компоненты и узлы изделий действует только при условии регулярного проведения профилактического обслуживания изделия специалистами авторизованного сервисного центра. После каждого обслуживания в гарантийном талоне должны проставляться печати сервисного центра, подтверждающие факт прохождения обслуживания. Если пользователь пропускает хотя бы одно обслуживание, то увеличенный гарантийный срок на указанный компонент перестает действовать, и гарантийный срок остается стандартным, как на весь прибор в целом. Перечень профилактических работ, а также примерные сроки прохождения периодического обслуживания, указаны в таблице 1.

(кассовым) чеком или другим документом, подтверждающим дату и факт продажи изделия на территории РФ.

Установка, подключение и запуск в эксплуатацию данного изделия допускается исключительно специалистами и организациями, имеющими лицензии или соответствующие разрешения (допуски) на данный вид деятельности, либо специалистами и организациями, авторизованными для монтажа и/или обслуживания данного вида техники.

О необходимости проведения тех или иных монтажных и/или сервисных работ специализированными организациями Вы можете узнать, внимательно ознакомившись с Руководством по эксплуатации на приобретенное Вами изделие.

Для монтажа приобретенного оборудования Вы можете воспользоваться платной услугой специалистов авторизованных сервисных центров TIMBERK, которые проведут все необходимые работы для длительного и безопасного использования приобретенного Вами изделия.

Вы можете также воспользоваться услугами любых других квалифицированных специалистов, однако, в этом случае, если изделие вышло из строя вследствие неправильной установки и подключения, Вы теряете право на бесплатное гарантийное обслуживание.

### Досрочное прекращение гарантийного обслуживания.

Все условия гарантийного обслуживания регулируются Законодательством РФ и Законом РФ «О защите прав потребителей». В частности, отказ в бесплатном гарантийном обслуживании изделия может быть вызван:

- нарушением при оформлении гарантийного талона при продаже изделия;
- отсутствием товарного или кассового чека о продаже изделия или невозможностью определить продавца изделия;
- наличием следов механических повреждений, возникших после передачи изделия потребителю и явившихся возможной причиной возникновения дефекта;
- наличием повреждений, вызванных несоответствием стандартам параметров питающих сетей и других подобных внешних факторов, а также вызванных использованием нестандартных, неоригинальных (или некачественных) аксессуаров, принадлежностей, запасных частей, элементов и т.д.;
- нарушением правил Руководства по эксплуатации данного изделия;

- наличием следов несанкционированного вскрытия и/или ремонта изделия (за исключением случаев, предусмотренных Руководством по эксплуатации), повлекших за собой отказ в работе изделия;
- дефектом или отказом системы или ее части, где изделие использовалось как часть системы и это могло привести к дефекту или отказу изделия.

**Гарантийные обязательства не распространяются на перечисленные ниже части и принадлежности изделия, если их замена не связана с разборкой самого изделия или их замена требуется при профилактическом обслуживании:**

- монтажные приспособления, инструмент и документацию, прилагаемую к изделию;
- расходные части изделия, подразумевающие периодическую замену за счет потребителя (элементы питания, фильтрующие элементы и др.);
- части и узлы изделия, неисправность которых связана с естественным износом в процессе эксплуатации (фильтрующие элементы, втулки, подшипники и т.д.);
- материалы, наклеенные на изделие, имеющие рекламное или информационное назначение, за исключением маркировочной (идентификационной) наклейки Изготовителя (TIMBERK ID).



## ВНИМАНИЕ!

Если в результате экспертизы/диагностики изделия установлено, что его недостатки возникли вследствие обстоятельств, за которые не отвечает продавец (изготовитель), либо недостатки в товаре отсутствуют, Потребитель обязан возместить продавцу (изготовителю или уполномоченной изготовителем организации) расходы на проведение экспертизы (диагностики), а также связанные с ее проведением расходы на хранение и транспортировку товара) в соответствии с Законом РФ «О защите прав потребителей» № 171-ФЗ в ред. от 21.12.2004 ст. 18 п.5.

## Изготовитель не несет гарантийных обязательств за изделие в следующих случаях:

- если изделие использовалось в иных целях, не соответствующих его прямому назначению в соответствии с Руководством по эксплуатации;
- если на изделии отсутствует маркировочная (идентификационная) табличка Изготовителя (TIMBERK ID);
- если изделие имеет следы несанкционированного вскрытия, не предусмотренного Руководством по эксплуатации, и попыток неквалифицированного ремонта;
- если дефект вызван изменением/нарушением конструкции или схемы изделия, не предусмотренным Изготовителем;
- если обнаружены повреждения, вызванные попаданием внутрь изделия посторонних предметов, веществ, жидкостей, насекомых, скоплением большого количества пыли;
- если обнаружены повреждения, вызванные подключением к сетям с недопустимыми параметрами;
- если дефект вызван действием непреодолимых сил, несчастными случаями, умышленными или неосторожными действиями потребителя или третьих лиц;
- если нарушены требования Изготовителя по проведению обязательных для сохранения гарантии и продления срока службы профилактических работ, описанных в Руководстве по эксплуатации;
- неправильного хранения (консервации / разборки-сборки на период хранения) изделия;
- если монтаж и использование изделия производится без разрешительной документации исполнительных органов власти субъектов РФ там, где подобная документация требуется в соответствии с требованиями законодательства РФ (в т.ч. Жилищного Кодекса РФ);

Изготовитель снимает с себя любую ответственность за возможный вред, прямо и или косвенно нанесенный продукцией TIMBERK людям, домашним животным, и имуществу, в случаях, если это произошло в результате несоблюдения правил и условий эксплуатации или вследствие неквалифицированной установки (профилактики, обслуживания, ремонта) изделия, умышленных или неосторожных действий потребителя или третьих лиц.



## ВНИМАНИЕ!

Если маркировочная (идентификационная) наклейка на изделии TIMBERK (TIMBERK ID) закреплена на изделии не плотно и существует риск ее утери, то вклейте ее в гарантийный талон на последней странице.

**Помните!** Изготовитель/импортер/продавец не несет ответственности в случае возникновения недостатков изделия из-за неправильных/некачественных монтажных, пусконаладочных, сервисных, профилактических работ неавторизованными организациями и специалистами.

Гарантийные обязательства Изготовителя не распространяются на случаи:

- если покупатель самостоятельно без учета рекомендаций Изготовителя и продавца купил кондиционер надлежащего качества и установил в помещении, для которого изделие не подходит по своим техническим характеристикам;
- некачественного монтажа неавторизованной организацией/частными лицами, если не была правильно проведена вакуумация трубопроводов, была проведена заправка недостаточного количества хладагента или допущены другие ошибки при монтаже (перегиб трубопроводов, негоризонтальное расположение блоков, нарушение допустимых перепадов высот установки между блоками и т.д.);
- эксплуатации изделия в недопустимых условиях и с нарушением режимов работы, прописанных в Руководстве по эксплуатации (например, эксплуатация сплит-системы при наружной температуре воздуха ниже минимальной температуры (указанной в Руководстве по эксплуатации на соответствующий прибор в таблице технических характеристик) без дополнительного оборудования внешнего блока зимним комплектом);
- если неисправность была вызвана нарушением сроков периодического обслуживания изделия;
- если неисправность была вызвана сильными загрязнениями фильтров и/или испарителя/конденсатора пылью, листвой, насекомыми и другими предметами.

Таблица 1.

Рекомендуемые профилактические работы для увеличения срока гарантии на компрессор кондиционера, а также для выполнения условия долговременной работы кондиционера, в рамках заявленного срока службы и более.

| Наименование рекомендуемых профилактических работ    | Для бытовых помещений   |                     | Для офисных помещений  |                     | Для торговых помещений |                     |
|--|-------------------------|---------------------|------------------------|---------------------|------------------------|---------------------|
|  | Рекомендуемый интервал  | Рекомендуемые сроки | Рекомендуемый интервал | Рекомендуемые сроки | Рекомендуемый интервал | Рекомендуемые сроки |
| Чистка теплообменников внешнего и внутреннего блоков | Не реже 1-го раза в год | Июль                | Не реже 2-х раз в год  | Май, август         | Не реже 3-х раз в год  | Май, июль, сентябрь |
| Мойка ванны для сбора конденсата                     |                         |                     |                        |                     |                        |                     |
| Продувка трубопровода конденсата                     |                         |                     |                        |                     |                        |                     |
| Общая проверка системы                               |                         |                     |                        |                     |                        |                     |
| Дозаправка (при необходимости)                       |                         |                     |                        |                     |                        |                     |
| Чистка крыльчатки внутреннего блока                  |                         |                     |                        |                     |                        |                     |



## ПРИМЕЧАНИЕ:

Пожалуйста, потребуйте от продавца полностью, четко и правильно заполнить бланк Гарантийного талона.

Для ряда территорий могут действовать исключительные правила гарантии, увеличивающие срок на изделие или компоненты. Такие правила устанавливаются только по распоряжению Производителя официальным письмом Производителя.



## ПРИМЕЧАНИЕ!

Техническое (профилактическое) обслуживание изделия не входит в гарантийные обязательства изготовителя и продавца и является дополнительной платной услугой.



## ВНИМАНИЕ!

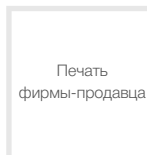
Большинство приборов торговой марки TIMBERK требуют профессиональных консультаций со специалистами соответствующей квалификации в процессе подбора, а также при вводе их в эксплуатацию. Производитель рекомендует приобретать приборы TIMBERK только у авторизованных им продавцов. В предоставлении дополнительной гарантии может быть отказано, если прибор TIMBERK был приобретен у продавцов, указанных в соответствующем разделе на сайте [www.timberk.com](http://www.timberk.com), не исполняющих полностью или частично требований производителя к правилам обслуживания покупателей, а также требований производителя к предоставлению стандартных условий приобретения приборов TIMBERK.

Покупатель информирован о том, что он не вправе требовать возврата или обмена купленного изделия в порядке статьи 25 Закона «О защите прав потребителей» и статьи 502 Гражданского Кодекса РФ в соответствии с п.11 «Перечня непродовольственных товаров надлежащего качества, не подлежащих возврату или обмену на аналогичный товар другого размера, формы, габарита, фасона, расцветки или комплектации» Постановления Правительства РФ от 19.01.1998 г. №55.

## Бланк гарантийного талона.

Заполняется фирмой-продавцом

|                        |  |
|------------------------|--|
| Изделие                |  |
| Модель                 |  |
| Серийный номер         |  |
| Дата продажи           |  |
| Фирма-продавец         |  |
| Адрес фирмы продавца   |  |
| Телефон фирмы продавца |  |

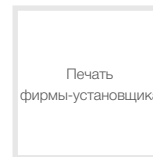
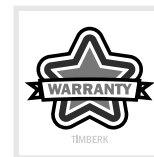


Печать  
фирмы-продавца

Заполняется фирмой-установщиком

|                               |  |
|-------------------------------|--|
| Сведения об установке изделия |  |
| Фирма-установщик              |  |
| Номер сертификата             |  |
| Дата установки                |  |
| Мастер                        |  |

**Без подписи покупателя на странице 26 Гарантийный талон является недействительным.**



Печать  
фирмы-установщика

Заполняется сервисным центром

«А»

|                |  |
|----------------|--|
| Дата приема    |  |
| Дата выдачи    |  |
| Особые отметки |  |

Печать  
сервисного центра

«Б»

|                |  |
|----------------|--|
| Дата приема    |  |
| Дата выдачи    |  |
| Особые отметки |  |

Печать  
сервисного центра

«В»

|                |  |
|----------------|--|
| Дата приема    |  |
| Дата выдачи    |  |
| Особые отметки |  |

Печать  
сервисного центра

«Г»

|                |  |
|----------------|--|
| Дата приема    |  |
| Дата выдачи    |  |
| Особые отметки |  |

Печать  
сервисного центра



## ВНИМАНИЕ!

Срок проведения экспертизы и гарантийного ремонта - не более 45 дней с момента приемки дефектного изделия авторизованным сервисным центром TIMBERK.

Подписывая данный гарантийный талон, Покупатель признает, что он:

1. Проверил заполнение информации.
2. Получил Руководство по эксплуатации на изделие на русском языке.
3. Владеет всей необходимой информацией о приобретенном изделии и его потребительских свойствах, характеристиках в соответствии со статьей 10 Закона РФ «О защите прав потребителей».
4. Ознакомлен и полностью согласен с условиями и ограничениями гарантийного обслуживания, а также с условиями установки / подключения / сервисного обслуживания / эксплуатации приобретенного изделия.
5. Не имеет претензий к внешнему виду / комплектности / работоспособности (если прибор проверялся в его присутствии при продаже) приобретенного изделия.

Подпись покупателя (с расшифровкой)

\_\_\_\_\_ / \_\_\_\_\_ /

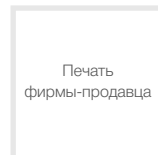
Дата \_\_\_\_\_



**Отрывной талон«А»**

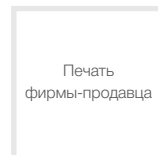
|                |  |
|----------------|--|
| Изделие        |  |
| Модель         |  |
| Серийный номер |  |
| Дата продажи   |  |
| Фирма-продавец |  |

Заполняется фирмой-продавцом

**Отрывной талон«Б»**

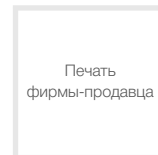
|                |  |
|----------------|--|
| Изделие        |  |
| Модель         |  |
| Серийный номер |  |
| Дата продажи   |  |
| Фирма-продавец |  |

Заполняется фирмой-продавцом

**Отрывной талон«В»**

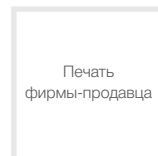
|                |  |
|----------------|--|
| Изделие        |  |
| Модель         |  |
| Серийный номер |  |
| Дата продажи   |  |
| Фирма-продавец |  |

Заполняется фирмой-продавцом

**Отрывной талон«Г»**

|                |  |
|----------------|--|
| Изделие        |  |
| Модель         |  |
| Серийный номер |  |
| Дата продажи   |  |
| Фирма-продавец |  |

Заполняется фирмой-продавцом



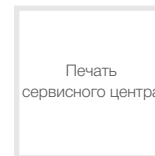
|                     |  |
|---------------------|--|
| Дата приема         |  |
| Дата выдачи         |  |
| Номер заказа-наряда |  |
| Проявление дефекта  |  |
| Мастер              |  |
| Код неисправности   |  |

Заполняется сервисным центром



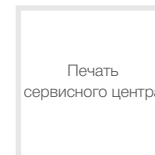
|                     |  |
|---------------------|--|
| Дата приема         |  |
| Дата выдачи         |  |
| Номер заказа-наряда |  |
| Проявление дефекта  |  |
| Мастер              |  |
| Код неисправности   |  |

Заполняется сервисным центром



|                     |  |
|---------------------|--|
| Дата приема         |  |
| Дата выдачи         |  |
| Номер заказа-наряда |  |
| Проявление дефекта  |  |
| Мастер              |  |
| Код неисправности   |  |

Заполняется сервисным центром



|                     |  |
|---------------------|--|
| Дата приема         |  |
| Дата выдачи         |  |
| Номер заказа-наряда |  |
| Проявление дефекта  |  |
| Мастер              |  |
| Код неисправности   |  |

Заполняется сервисным центром



Профилактическое обслуживание изделия. (Заполняется специалистом авторизованного сервисного центра)

| №№ | Дата выполнения работ | Перечень выполненных работ | Наименование СЦ | Ф.И.О. Исполнителя<br>подпись печать |
|----|-----------------------|----------------------------|-----------------|--------------------------------------|
|    |                       |                            |                 |                                      |
|    |                       |                            |                 |                                      |
|    |                       |                            |                 |                                      |
|    |                       |                            |                 |                                      |
|    |                       |                            |                 |                                      |
|    |                       |                            |                 |                                      |
|    |                       |                            |                 |                                      |

**Профилактическое обслуживание изделия. (Заполняется специалистом авторизованного сервисного центра)**

| №№ | Дата выполнения работ | Перечень выполненных работ | Наименование СЦ | Ф.И.О. Исполнителя<br>подпись печать |
|----|-----------------------|----------------------------|-----------------|--------------------------------------|
|    |                       |                            |                 |                                      |
|    |                       |                            |                 |                                      |
|    |                       |                            |                 |                                      |
|    |                       |                            |                 |                                      |
|    |                       |                            |                 |                                      |
|    |                       |                            |                 |                                      |
|    |                       |                            |                 |                                      |



**RU**

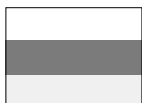
## Руководство по эксплуатации техники Timberk написано на английском языке и переведено на русский язык.



**BY**

В целях информирования покупателей техники Timberk, мы дополнительно сообщаем, что русский является государственным языком в следующих государствах:

- в Российской Федерации
- в Республике Беларусь наряду с белорусским языком
- в частично признанной Южной Осетии наряду с осетинским языком



**OS**



**KZ**

Русский язык является официальным языком (во всех случаях другой язык или другие языки выступают как государственный или второй официальный) в следующих государствах и на территориях:



**AK**



**KG**

- в Республике Казахстан
- в Киргизской Республике
- в административных единицах Украины, где доля носителей русского языка составляет более 10%, при соответствующем решении местных советов
- в Автономной Республике Крым



**UA**



**TJ**

В Республике Таджикистан русский язык признан по Конституции языком межнационального общения.



**CIS**

Официальным языком международной организации Содружество Независимых Государств (СНГ) является русский язык.



Если вы заметили ошибку в инструкции, пожалуйста, сообщите нам об этом, связавшись с нами по электронной почте, указанной на сайте [www.timberk.com](http://www.timberk.com)

If you found any mistake in this manual please let us know by email listed on [www.timberk.com](http://www.timberk.com)

Blank lined area for text entry, consisting of 20 horizontal dotted lines.



[www.timberk.com](http://www.timberk.com)

**EAC**