

HYUNDAI

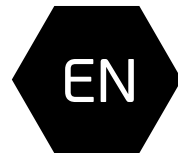


Электрический кондиционер воздуха Сплит-система

Руководство по эксплуатации.
Гарантийный талон.

Electric air conditioner Split system

Instruction manual.
Warranty card.



Модели / Models

Внутренний блок
Indoor unit

H-ALC3-18H/I
H-ALC3-24H/I
H-ALC3-36H/I
H-ALC3-48H/I
H-ALC3-60H/I

Наружный блок
Outdoor unit

H-ALC3-18H/O
H-ALC3-24H/O
H-ALC3-36H/O
H-ALC3-48H/O
H-ALC3-60H/O

www.hyundai-hvac.com

**CONTENTS**

1. Important information	3
2. Precautions	3
3. Technical characteristics	4
4. Device description	6
5. Delivery set	7
6. Device control	7
7. Operating modes	9
8. Maintenance	11



Dear Customer!

Thank you for your good choice and purchase household air conditioner Hyundai. It will serve you for a long time.

1. IMPORTANT INFORMATION

It is designed for cooling in residential buildings.

The manufacturer reserves the right without notice the buyer to make changes in design, equipment or technology to manufacture products in order to improve its properties. The text and figures are given instruction may be a misprint.

If after reading the instructions you still have questions regarding the operation of the unit and contact your dealer or authorized service facility for clarification. The product label is present, which are all necessary technical data and other useful information about a product. Use only for intended use as described in this manual.

2. PRECAUTIONS

1. Do not attempt to install the air conditioner. Consult a qualified technician for installation.
2. When using conditioner, you must be a number of precautions. Improper use by ignoring safety precautions can result in damage to health user and others, as well as damage to their property.
3. The appliance should be monitored during its operation, especially when far from it are children.
4. Do not insert fingers or foreign objects through the air release lattice indoor and outdoor units, as this can lead to injury from the rotating fan.
5. Do not allow children to independently include air conditioning. Children can include air conditioning only with adult supervision.
6. Do not try to repair the air conditioner. Domestic air conditioning units are under stress, it is dangerous to life! To repair the product, contact an authorized service center.
7. Do not use if it is defective, or if it is dropped or damaged.
8. Do not open the front panel of the device during its operation.
9. Do not disassemble or modify the device.
10. Immediately turn off the air conditioner from the electrical network if it goes from strange odors or smoke.
11. Do not spray or pour water or other liquids on the air conditioner.
12. Always unplug the air conditioner from the mains during a thunderstorm.
13. Always unplug the air conditioner from the mains when not in use.
14. Before cleaning and maintenance of the air conditioner disconnect from the mains. Cleaning and maintenance performed in accordance with the instructions of this manual.
15. To ensure the efficient operation of air conditioning using it in a temperature-humidity conditions specified in this manual.
16. Do not use dangerous chemicals to clean the device and do not let them hit on the device.
17. When removing the air filter does not touch the metal parts of the device.
18. To avoid overheating and fire risk and damage the internal electrical network, do not change the length of the cord and do not connect the device via electrical extension cords. an extension cord. However, you can use
19. To avoid electrical hazards, damaged power cord must be changed only at authorized service centers qualified professionals.
20. To avoid risk of electric shock, do not place the power cord near a heater and flammable or combustible substances.
21. Do not start or stop the unit by connecting or disconnecting electrical power.
22. Do not press the button on the remote control (PDU), than anything other than your fingers.
23. Do not use for purposes not covered by this manual.



3. TECHNICAL CHARACTERISTICS

Tab.1

Indoor unit Outdoor unit	H-ALC3-18H/I H-ALC3-18H/O	H-ALC3-24H/I H-ALC3-24H/O
Capacity (cooling) BTU (kW)	18000 (5,30)	24000 (7,20)
Capacity (heating) BTU (kW)	20000 (5,90)	26500 (7,90)
Rated power consumption (cooling) W	1712	2230
Rated power consumption (heating) W	1793	2355
Power supply V/Hz	220-240~/50	220-240~/50
Rated power current (cooling/heating) A	7,78/8,55	10,14/11,70
Air circulation (indoor unit) m ³ /h	1300/1050/900	1400/1200/1000
Air circulation (outdoor unit) m ³ /h	-	-
Noise level (indoor unit) dB(A)	41/38/34	43/41/37
Noise level (outdoor unit) dB(A)	49/55	54/58
Refrigerant	R410A	R410A
Energy efficiency (cooling/heating)	B/C	A/B
Electrical protection class	I class	I class
Capacity of draining, L/d	43,2	57,6
Degree of protection against moisture (indoor unit)	IPX0	IPX0
Degree of protection against moisture (outdoor unit)	IP24	IP24
Refrigerant piping, Liquid side / Gas side, (inch)	1/4+1/2	3/8+5/8
Max. refrigerant pipe length, m	25	30
Maximum difference in level, m	15	15
Filling of Freon, g	1830	2100
Operating temperature range: cooling, °C	+21~+43	+21~+43
Operating temperature range: heating, °C	-15~+30	-15~+30
Net weight, indoor unit (kg)	20,0	27,0
Net weight, outdoor unit (kg)	42,0	54,0
Gross weight, indoor unit (kg)	23,0	31,0
Gross weight, outdoor unit (kg)	47,0	59,0
Net dimensions, indoor unit (mm)	1055×675×235	1055×675×235
Net dimensions, outdoor unit (mm)	780×605×290	900×650×310
Packing dimensions, indoor unit (mm)	1131×753×313	1131×753×313
Packing dimensions, outdoor unit (mm)	883×412×653	1015×720×425

H-ALC3-36H/I H-ALC3-36H/O	H-ALC3-48H/I H-ALC3-48H/O	H-ALC3-60H/I H-ALC3-60H/O
36000 (10,55)	48000 (14,00)	60000 (17,00)
40000 (12,00)	53000 (16,00)	65500 (19,00)
3578	4551	6000
3468	4432	5523
380-420~/50	380-420~/50	380-420~/50
7,80/7,20	9,30/9,50	12,90/13,30
1800/1600/1350	2300/1900/1700	2300/1900/1700
-	-	-
45/43/41	45/43/41	47/44/43
55/58	57/60	57/60
R410A	R410A	R410A
C/C	B/A	C/B
I class	I class	I class
86,4	115,2	144,0
IPX0	IPX0	IPX0
IP24	IP24	IP24
3/8+3/4	3/8+3/4	3/8+3/4
30	50	50
30	30	30
2600	3800	4600
+21~+43	+21~+43	+21~+43
-15~+30	-15~+30	-15~+30
37,0	37,0	37,0
79,0	103,0	108,0
43,0	43,0	43,0
87,0	113,0	118,0
1275×675×235	1635×675×235	1635×675×235
900×805×360	1250×940×340	1250×940×340
1351×753×313	1711×753×313	1711×753×313
1031×925×447	1365×1030×430	1365×1030×430

4. DEVICE DESCRIPTION

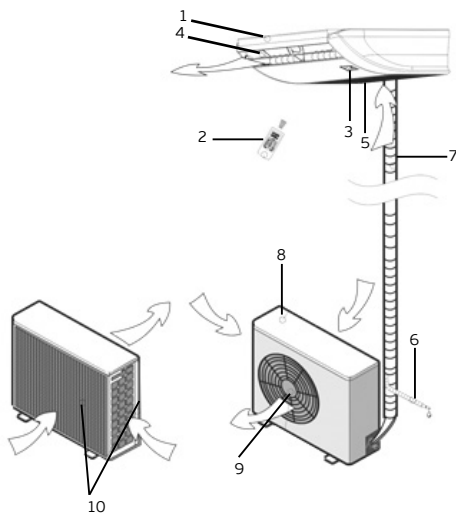


Fig. 1

The conditioner consists of indoor and outdoor units connected by pipelines. The conditioner is controlled from a remote control board or from a control panel of the indoor unit.

1. Conditioner unit for indoor installation
2. Control and indication panel
3. Blinds (deflectors) for distribution of treated air
4. Air inlet of indoor unit
5. Tube for condensate removal
6. Copper tube for gas (freon).
7. Conditioner unit for outdoor installation
8. Air inlets of outdoor unit
9. Return air grillages of outdoor unit

5. DELIVERY SET

Complete set of air conditioner (split system) includes:

- Conditioner unit for indoor installation - 1 piece
- Conditioner unit for outdoor installation - 1 piece
- Remote control - 1 piece
- Batteries for remote control board - 2 pcs.
- Operator's manual with warranty card -1 piece
- Packing of indoor-installation unit - 1 piece
- Packing of outdoor-installation unit - 1 piece

6. DEVICE CONTROL

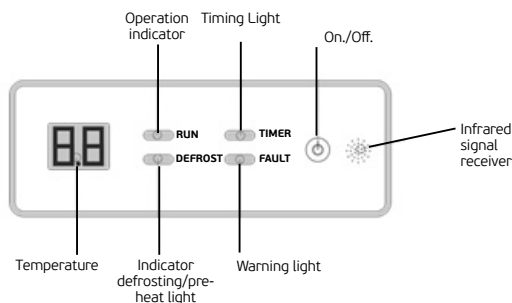


Fig. 2. Description of indoor unit control board

The conditioner is controlled from a remote control board or from a control panel of the indoor unit.

Control and indication board of your conditioner may visually differ from a layout view shown below. Its functions will remain the same.

12. Operation indicator
13. Timer indicator
14. Defrosting-Preheating indicator
15. Indicator alarm status
16. Set button. Using this button you may select operation
17. LED display. Indicator of temperature

Emergency control shall be used if the remote control board is lost or broken, or batteries are low. Using an emergency control button situated on the indoor unit control panel you may select COOL or AUTO mode of the conditioner work. Pressing this button, select a mode of the conditioner work: AUTO, COOL, the conditioner is OFF, AUTO again, etc.

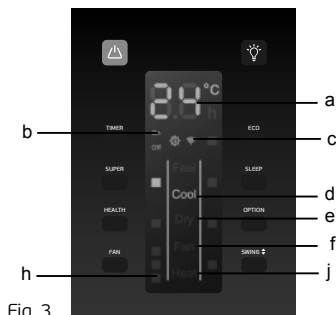
1. Auto mode. The operation indicator lights up and the air conditioner works in the forced automatic mode. The remote controller can be used.
2. Forced cooling. The operation indicator blinks and the air conditioner works in the forced cool-

8.

HYUNDAI

Electric air conditioner. Split system

ing mode. The fan speed is high for 30 min. The remote controller cannot be used.
 3. Off mode. The indicator is extinguished and the air conditioner does not work. The remote controller can be used.



- a) Temperature indicator
- b) Indicators timer
- c) Indicator operation indicator functions
- d) Indicators Cooling
- e) Indicators dry
- f) Indicators fan
- j) Indicators heat
- h) Indicators speed

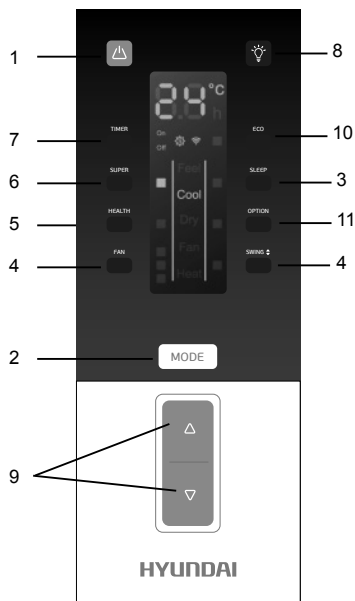
* use of particular indicators depends on model and series.

** design of indicator symbols may differ depending on model and series.

Fig. 3



REMOTE CONTROL



1. Button "ON/OFF" (Power). Using this button, you may turn the conditioner on or off.
2. Button for selection of operating mode - "MODE". Using this button, you may select a needed operating mode: AUTO, COOL, DRY, HEAT, FAN.
3. Button "SLEEP". Using this button, you may turn the sleep mode on and off. In this mode the fan speed will be low.
4. Button "SWING". Using this button, you may regulate position of air-outlet blinds and forward treated air up and down, left and right.
5. Button "Health". Using this button, you may turn on or off the ion function. (In this model the function is not available).
6. Button "SUPER". With this button you can enable or disable the intensive mode. When switching modes, or when you increase / decrease the fan speed, the function is automatically disabled.
7. Button "TIMER". This button sets the automatic switch-on (set the desired time by pressing button "SET", "MODE", "SPEED" or button "TIMER"). The device automatically turns on after a selected period of time.
8. Button "INDICATORS LIGHT". Using this button you may disable the backlight of the display of the indoor unit. By re-pressing the button, you can turn on the display backlight.
9. Кнопка «INCREASE THE TEMPERATURE». With this button, you can control the temperature.
10. Button «ECO».
11. Button «OPTION». This option is not available for conditioner H-ALC2

Fig. 3

control board.

In order to avoid malfunction of the remote control board do not insert used batteries or batteries of various types.

If the conditioner is not used for a long time, remove batteries from the board or else electrolyte may leak and damage the board.

In normal operation of the conditioner average service life of batteries will be about a half-year. Replace batteries, if command receiving is not confirmed with an audio signal, or if the display does not show a sign of command transfer. When generating commands from the remote control board, point an IR-radiator at a remote-control signal receiver situated on the indoor unit. Hold the remote control board at the distance of no more than 8 m from the indoor unit. The remote control board will not work, if there are any curtains, doors or other things between it and the indoor unit. Protect the board from water and exposure to direct sunlight and heat sources.

7. OPERATING MODES

AUTO mode

The auto mode is turned on and off with the use of the button «MODE» on the remote control board.

During operation in this mode, the air conditioner automatically selects the cooling/heating/fan mode maintaining the set temperature.

COOL, HEAT and FAN

1. Turn the conditioner on pressing the «ON/OFF» button.
2. Pressing the «MODE» button, select COOL, HEAT or FAN mode manually.
3. Pressing the «TEMP» button (up-down), set the desired air temperature indoors (except for FAN mode).
4. Pressing the «FAN SPEED» button on the remote control board, select the fan rotation speed: AUTO, LOW, MIDDLE, HIGH, and the conditioner will start working in accordance with the selected setting.
5. To turn the conditioner off, press the «ON/OFF» button once again.

In the FAN mode air temperature indoors is not set.

DRY

Turn the conditioner on pressing the «ON/OFF» button. Pressing the "MODE" button, select the DRY mode. The conditioner will start working in the set mode. To turn the conditioner off, press the «ON/OFF» button once again.

When indoor temperature decreases to 10°C, the air conditioner is automatically switched off and it resumes work after increase of temperature up to 12°C.

TIMER mode

Procedure of timing:

1. Press the Timer ON button to activate Timer ON. Each time you press the button you increase the activation time by 30 minutes ranging from 0 to 10 hours and by 1 hour ranging from 10 to





24 hours. The air conditioner will switch on automatically in the set interval of time.

2. Press the Timer OFF button to activate Timer OFF. Each time you press the button you increase the activation time by 30 minutes ranging from 0 to 10 hours and by 1 hour ranging from 10 to 24 hours. The air conditioner will switch off automatically in the set interval of time.

SLEEP mode

Using this button you may turn on or off the sleep mode. When the key pressed in the cooling mode increases the temperature relative to the set at one degree per hour for two hours and in heating mode lowers the temperature at two degrees per hour for two hours. After 7 hours working in this mode, the air conditioner will turn off.

When the power is turned off, the sleep mode is automatically disabled.

Regulation of treated air flow direction

Regulating the position of deflectors (blinds), set the direction of treated air flow ensuring uniform distribution of temperature and the most comfort conditions in the room. To change the position of deflectors, use the «SWING» button.

8. MAINTENANCE

- Before cleaning switch the conditioner off.
- Cleaning of the indoor unit and remote control board:
- Indoor unit and remote control board should be cleaned with a dry soft cloth.
- If the indoor unit is too unclean, moisten the cloth with cold water.
- It is prohibited to clean the remote control board with moist cloth.
- In order to avoid the damage of paint or details of the conditioner, do not clean it with brushes and do not leave them on the surface of indoor unit.
- In order to avoid the damage of surface or deformation of the conditioner details, do not clean it with petrol, solvents, cleaning powders or other chemically active substances.
- Before a sustained interruption in the conditioner work:
- Turn the conditioner on for several hours in the FAN mode. It will allow you to dry its inner cavities
- Switch the conditioner off.
- Remove the batteries from the remote control board.
- Checks before starting:
- Make sure that an air filter is installed.
- Make sure that air inlet and return air grillages of the outdoor unit are not blocked by foreign objects.
- Cleaning of air filter
- Air filter cleans the air entering the conditioner from dust and foreign particles. If the filter is contaminated, the conditioner capacity decreases sharply. If the conditioner is operated permanently, the filter should be cleaned once per two weeks.
- If the conditioner is installed in a room with dusty atmosphere, then the air filter should be cleaned more often.
- To remove the filter, open the air inlet of the indoor unit panel. Press the locks to the center and pull the grillages down. Remove the air inlet. Remove the air filter. Clean the filter with a vacuum cleaner or rinse it in clean water. If the filter is contaminated heavily, clean it with a soft brush and wash in diluted washing solution, then dry it in a cool place.
- While cleaning the filter with the vacuum cleaner, hold it with contaminated surface up. While washing the filter in water, hold it with contaminated surface down.
- Do not dry the filter in the sun or near a fire.
- Set the air filter to initial position and close an air inlet cover.



Содержание

1. Важная информация	13
2. Меры предосторожности	13
3. Технические характеристики	14
4. Описание прибора	16
5. Комплект поставки	17
6. Управление прибором	17
Панель управления внутреннего блока	17
Пульт дистанционного управления (ПДУ)	18
7. Режимы работы	19
8. Уход и обслуживание	20

Уважаемый покупатель!

Благодарим Вас за удачный выбор и приобретение электрического кондиционера воздуха Hyundai. Он прослужит Вам долго.

1. ВАЖНАЯ ИНФОРМАЦИЯ

Прибор предназначен для охлаждения воздуха в бытовых помещениях. Производитель оставляет за собой право без предварительного уведомления покупателя вносить изменения в конструкцию, комплектацию или технологию изготовления изделия с целью улучшения его свойств. В тексте и цифровых обозначениях данного руководства могут быть допущены опечатки.

Если после прочтения руководства у Вас останутся вопросы по работе и эксплуатации прибора, обратитесь к продавцу или в специализированный сервисный центр для получения разъяснений.

На изделии присутствует этикетка, на которой указаны все необходимые технические данные и другая полезная информация о приборе. Используйте прибор только по назначению, указанному в данном руководстве.

2. МЕРЫ ПРЕДОСТОРОЖНОСТИ

1. Не пытайтесь самостоятельно устанавливать кондиционер. Обратитесь к квалифицированному специалисту по установке.
2. При использовании кондиционера, необходимо соблюдать ряд мер предосторожности. Неправильная эксплуатация в силу игнорирования мер предосторожности может привести к причинению вреда здоровью пользователя и других людей, а также нанесению ущерба их имуществу.
3. Электроприбор должен находиться под наблюдением во время его эксплуатации, особенно, если неподалёку от него находятся дети.
4. Не просовывайте пальцы или посторонние предметы через воздуховыпускную решетку внутреннего и наружного блоков, так как это может привести к травме от вращающегося вентилятора.
5. Не разрешайте детям самостоятельно включать кондиционер. Дети могут включать кондиционер только под присмотром взрослых.
6. Не пытайтесь самостоятельно ремонтировать кондиционер. Внутренние агрегаты кондиционера находятся под напряжением, это опасно для жизни! Для ремонта изделия обращайтесь в авторизованный сервисный центр.
7. Не используйте устройство, если оно неисправно, или если его уронили или повредили.
8. Не открывайте лицевую панель устройства во время его работы.
9. Не разбирайте и не модифицируйте устройство.
10. Незамедлительно отключите кондиционер от электрической сети, если от него идут странные запахи или дым.
11. Не брызгайте и не лейте воду и другие жидкости на кондиционер.
12. Всегда отключайте кондиционер от электрической сети во время грозы.
13. Всегда отключайте кондиционер от электрической сети, когда он не используется.
14. Перед началом чистки и технического обслуживания кондиционера отключите его от электрической сети. Чистку и техническое обслуживание производите в соответствии с указаниями данного руководства по эксплуатации.
15. Для обеспечения эффективной работы кондиционера эксплуатируйте его в температурно-влажностных условиях, указанных в данном руководстве по эксплуатации.
16. Не используйте опасные химические вещества для чистки устройства и не допускайте их попадания на прибор.
17. При снятии воздушного фильтра не касайтесь металлических частей устройства.
18. Во избежание перегрева и риска возникновения пожара, а также повреждения внутренней электрической сети, не изменяйте длину сетевого шнура и не подключайте устройство через электрические удлинители.
19. Во избежание опасности поражения электрическим током, поврежденный сетевой шнур должен меняться только в авторизованных сервисных центрах квалифицированными специалистами.
20. Во избежание опасности поражения электрическим током не размещайте шнур питания рядом с нагревательными приборами и легковоспламеняющимися или горячими веществами.
21. Не запускайте и не останавливайте устройство посредством подключения или отключения электрического питания.



3. ТЕХНИЧЕСКИЕ ХАРАКТЕРИСТИКИ

Таблица 1

Внутренний блок Наружный блок	H-ALC3-18H/I H-ALC3-18H/O	H-ALC3-24H/I H-ALC3-24H/O
Выходная мощность (охлаждение) BTU (кВт)	18000 (5,30)	24000 (7,20)
Выходная мощность (обогрев) BTU (кВт)	20000 (5,90)	26500 (7,90)
Номинальная потребляемая мощность (охлаждение) Вт	1712	2230
Номинальная потребляемая мощность (обогрев) Вт	1793	2355
Параметры электропитания В/Гц	220-240~/50	220-240~/50
Номинальная сила тока (охлаждение/обогрев) А	7,78/8,55	10,14/11,70
Расход воздуха (внутренний блок) м ³ /ч	1300/1050/900	1400/1200/1000
Расход воздуха (наружный блок) м ³ /ч	-	-
Уровень шума (внутренний блок) Дб(А)	41/38/34	43/41/37
Уровень шума (наружный блок) Дб(А)	49/55	54/58
Тип фреона	R410A	R410A
Класс электробезопасности	I class	I class
Производительность по осушению, л/сутки	43,2	57,6
Класс энергоэффективности (охлаждение/обогрев)	B/C	A/B
Степень защиты от влаги (внутренний блок)	IPX0	IPX0
Степень защиты от влаги (наружный блок)	IP24	IP24
Максимальная длина трассы, м	25	30
Диаметр труб, жидкость/газ (дюйм)	1/4+1/2	3/8+5/8
Максимальный перепад высот между блоками, м	15	15
Заправочный вес фреона, (г)	1830	2100
Диапазон рабочих температур: охлаждение, °C	+21~+43	+21~+43
Диапазон рабочих температур: обогрев, °C	-15~+30	-15~+30
Вес нетто, внутренний блок (кг)	20,0	27,0
Вес нетто, наружный блок (кг)	42,0	54,0
Вес брутто, внутренний блок (кг)	23,0	31,0
Вес брутто, наружный блок (кг)	47,0	59,0
Размеры прибора, внутренний блок (мм)	1055×675×235	1055×675×235
Размеры прибора, наружный блок (мм)	780×605×290	900×650×310
Размеры в упаковке, внутренний блок (мм)	1131×753×313	1131×753×313
Размеры в упаковке, наружный блок (мм)	883×412×653	1015×720×425

H-ALC3-36H/I H-ALC3-36H/O	H-ALC3-48H/I H-ALC3-48H/O	H-ALC3-60H/I H-ALC3-60H/O
36000 (10,55)	48000 (14,00)	60000 (17,00)
40000 (12,00)	53000 (16,00)	65500 (19,00)
3578	4551	6000
3468	4432	5523
380-420~/50	380-420~/50	380-420~/50
7,80/7,20	9,30/9,50	12,90/13,30
1800/1600/1350	2300/1900/1700	2300/1900/1700
-	-	-
45/43/41	45/43/41	47/44/43
55/58	57/60	57/60
R410A	R410A	R410A
I class	I class	I class
86,4	115,2	144,0
C/C	B/A	C/B
IPX0	IPX0	IPX0
IP24	IP24	IP24
30	50	50
3/8+3/4	3/8+3/4	3/8+3/4
20	30	30
2600	3800	4600
+21~+43	+21~+43	+21~+43
-15~+30	-15~+30	-15~+30
37,0	37,0	37,0
79,0	103,0	108,0
43,0	43,0	43,0
87,0	113,0	118,0
1275x675x235	1635x675x235	1635x675x235
900x805x360	1250x940x340	1250x940x340
1351x753x313	1711x753x313	1711x753x313
1031x925x447	1365x1030x430	1365x1030x430



4. ОПИСАНИЕ ПРИБОРА

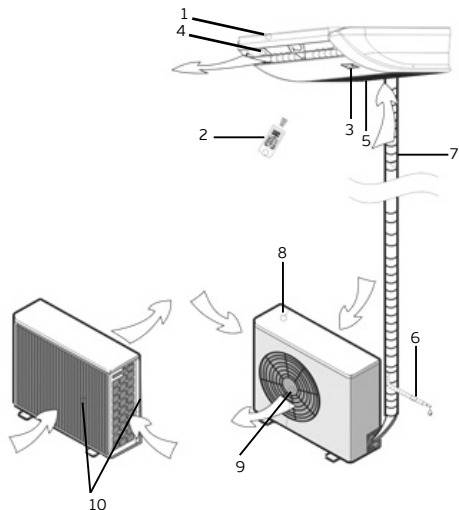


Рис. 1

Кондиционер состоит из внутреннего и наружного блоков, соединенных трубопроводами. Управление кондиционером осуществляется с пульта дистанционного управления или с панели управления внутреннего блока.

1. Блок кондиционера для внутренней установки в помещении.
2. ПДУ.
3. Панель управления и индикации.
4. Жалюзи (направляющие заслонки) для раздачи обработанного воздуха.
5. Воздухозаборная решетка внутреннего блока.
6. Трубка для отвода конденсата.
7. Медная трубка газа (фреона).
8. Блок кондиционера для наружной установки вне помещения
9. Воздуховыпускная решетка наружного блока.
10. Воздухозаборные решетки наружного блока.

5. КОМПЛЕКТ ПОСТАВКИ

В комплектацию кондиционера воздуха (сплит-системы) входит:

- Блок кондиционера для внутренней установки - 1 шт.
- Панель для внутреннего блока (комплектующие) - 1 шт.
- Блок кондиционера для наружной установки - 1 шт.
- Пульт дистанционного управления - 1 шт.
- Элементы питания для пульта ДУ - 2 шт.
- Руководство по эксплуатации - 1 шт.

6. УПРАВЛЕНИЕ ПРИБОРОМ

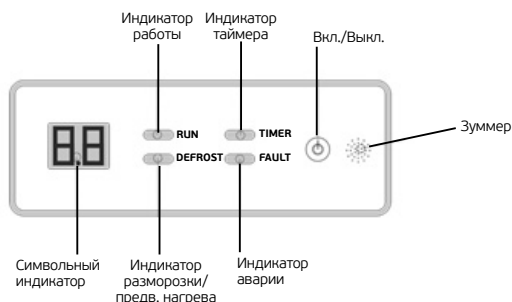


Рис. 2. Описание панели управления внутреннего блока

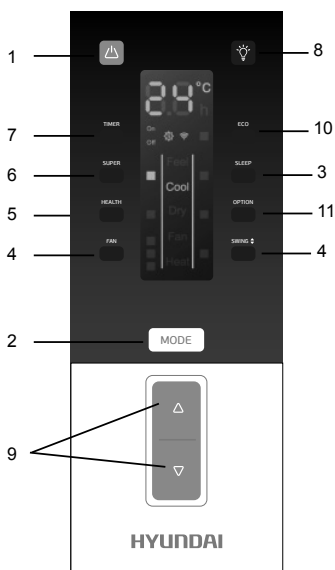
Управление кондиционером осуществляется с пульта дистанционного управления или с панели управления внутреннего блока.

Если пульт дистанционного управления утерян или его нельзя использовать в данный момент, вы можете использовать кнопку управления кондиционером «on/off», которая находится на панели внутреннего блока.

Панель управления и индикации Вашего кондиционера может визуально отличаться от приведенного схематического изображения. Функции при этом останутся прежними.

Ручное управление применяется, если пульт ДУ утерян, вышел из строя, или разрядились элементы питания.

ПУЛЬТ ДИСТАНЦИОННОГО УПРАВЛЕНИЯ

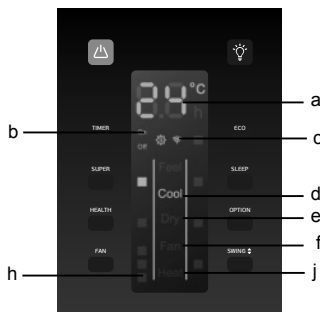


1. Кнопка «ON/OFF» (Power). С помощью данной кнопки можно включить или выключить кондиционер.
2. Кнопка выбора режимов работы «MODE». С помощью данной кнопки можно выбрать необходимый режим работы: Автоматический, Охлаждение, Осушение, Обогрев, Вентиляция.
3. Кнопка «SLEEP». С помощью данной кнопки можно включать и выключать ночной режим работы. В данном режиме, скорость вращения вентилятора будет низкой.
4. Кнопка «SWING». С помощью данной кнопки можно регулировать положение воздушных жалюзи и направлять обработанный воздух вниз -вверх
5. Кнопка «HEALTH». С помощью данной кнопки можно включать и выключать функцию ионизации воздуха. (В данной модели функция не предусмотрена).
6. Кнопка «SUPER». С помощью данной кнопки можно включить или выключить функцию интенсивный режим. При переключении режимов, либо при увеличении / уменьшении скорости вращения вентилятора, функция автоматически отключается.
7. Кнопка «TIMER». С помощью данной кнопки можно устанавливать время включения кондиционера по таймеру (устанавливайте необходимое время, нажимая кнопки «SET», «MODE», «SPEED» или саму кнопку «TIMER»). Прибор автоматически включится через заданный отрезок времени.
8. Кнопка «INDICATORS LIGHT». С помощью данной кнопки можно отключить подсветку дисплея внутреннего блока. С помощью повторного нажатия кнопки, можно включить подсветку дисплея (при наличии).
9. Кнопка «INCREASE THE TEMPERATURE». С помощью данной кнопки можно управлять температурой.
10. Кнопка «ECO».
11. Кнопка «OPTION». Данная опция не предусмотрена для модели кондиционера H-ALC2.

Рис. 3

Индикация на дисплее пульта управления соответствует выбранным режимам.

ДИСПЛЕЙ ПУЛЬТА ДИСТАНЦИОННОГО УПРАВЛЕНИЯ



- a) Индикатор температуры
- b) Индикатора работы таймера
- c) Индикаторы operation indicator functions
- d) Индикатор работы охлаждения
- e) Индикатор работы осушения
- f) Индикатор работы вентиляции
- g) Индикатор работы отопления
- h) Индикатор работы скоростей

* использование тех или иных индикаторов зависит от модели и серии.

** дизайн символов индикаторов может отличаться, в зависимости от модели и серии.

Рис. 4

6. РАБОТА С ПУЛЬТОМ ДУ

Установка и замена элементов питания: установить два щелочных элемента питания типа LR03, согласно указанной полярности на пульте ДУ.

Во избежание нарушений работы пульта ДУ не вставляйте в него использованные элементы питания или элементы питания разных типов.

Если кондиционер не эксплуатируется в течение длительного времени, извлеките батарейки из пульта ДУ. Иначе электролит может потечь и повредить пульт.

При нормальной эксплуатации кондиционера средний срок службы элементов питания составляет полгода.

Заменяйте элементы питания, если прием команды не подтверждается звуковым сигналом, или на дисплее исчез значок передачи команд.

Подавая команды с пульта дистанционного управления, направляйте ИК-излучатель на приемник сигналов ДУ, расположенный на внутреннем блоке. Держите пульт ДУ на расстоянии не более 8 м от внутреннего блока.

Пульт ДУ не будет работать, если между ним и внутренним блоком расположены шторы, двери или другие предметы. Не допускайте попадания на пульт воды и не подвергайте его воздействию прямых солнечных лучей и источников тепла.

RU

7. РЕЖИМЫ РАБОТЫ

ОХЛАЖДЕНИЕ, ОБОГРЕВ и ВЕНТИЛЯЦИЯ (COOL, HEAT, FAN)

1. Включите кондиционер, нажав кнопку "ON/OFF".
2. Нажимая кнопку "MODE", выберите режим ОХЛАЖДЕНИЯ (COOL), ОБОГРЕВА (HEAT) или ВЕНТИЛЯЦИИ (FAN) вручную.
3. Нажимая кнопки "TEMP" (вверх-вниз), задайте желаемую температуру воздуха в помещении (кроме режима ВЕНТИЛЯЦИИ).
4. Нажимая кнопку "FAN" на пульте ДУ, выберите скорость вращения вентилятора: АВТОМАТИЧЕСКАЯ, НИЗКАЯ, СРЕДНЯЯ, ВЫСОКАЯ, кондиционер начнет работать в соответствии с выбранной настройкой.
5. Для отключения кондиционера снова нажмите кнопку "ON/OFF".

В режиме ВЕНТИЛЯЦИЯ температура воздуха в помещении не задается.

ОСУШЕНИЕ (DRY)

Включите кондиционер, нажав кнопку "ON/OFF". Нажимая кнопку "MODE", выберите режим ОСУШЕНИЕ (DRY). Кондиционер начинает работу в данном режиме. Для отключения кондиционера снова нажмите кнопку "ON/OFF".

При снижении температуры в помещении до 10 градусов кондиционер автоматически отключится и возобновит работу после повышения температуры до 12 градусов

Режим работы по таймеру (TIMER)

Порядок настройки таймера:

1. Нажмите кнопку Timer ON для активации таймера включения. Каждое нажатие этой кнопки увеличивает время срабатывания на 30 минут от 0 до 10 часов и на 1 час от 10 до 24 часов. Через заданный промежуток времени кондиционер включится автоматически.
2. Нажмите кнопку Timer OFF для активации таймера выключения. Каждое нажатие этой кнопки увеличивает время срабатывания на 30 минут от 0 до 10 часов и на 1 час от 10 до 24 часов. Через заданный промежуток времени кондиционер выключится автоматически.

Ночной режим работы "SLEEP"

При нажатии данной клавиши в режиме охлаждения - повышает температуру относительно установленной на один градус в час в течении двух часов, а в режиме обогрева понижает температуру относительно установленной на два градуса в час в течении двух часов. Через 7 часов работы в этом режиме, кондиционер отключится.

При отключении электроэнергии, режим сна автоматически отключается.

RU

Регулирование направления потока обработанного воздуха.

Регулируя положение направляющих заслонок (жалюзи), задайте направление потока обработанного воздуха, обеспечивающее равномерное распределение температуры и наиболее комфортные условия в помещении. Для изменения положения направляющих заслонок используйте кнопку "SWING".

8. УХОД И ОБСЛУЖИВАНИЕ

- Перед тем, как приступить к чистке, отключите кондиционер от электросети.
- Чистка внутреннего блока и пульта дистанционного управления:
- Чистку внутреннего блока и пульта ДУ выполняйте сухой мягкой тканью.
- Если внутренний блок слишком загрязнен, смочите ткань холодной водой.
- Запрещается чистить влажной тканью пульт ДУ.
- Во избежание повреждения краски или деталей кондиционера не пользуйтесь для чистки щетками и не оставляйте их на поверхности внутреннего блока.
- Во избежание повреждения поверхности или деформации деталей кондиционера не пользуйтесь для чистки бензином, растворителями, чистящими порошками или другими химически активными веществами.
- Перед длительным перерывом в работе кондиционера:
- Включите кондиционер на несколько часов в режиме вентиляции. Это позволит полностью просушить его внутренние полости
- Отключите кондиционер от электросети.
- Извлеките из пульта ДУ элементы питания. Предпусковые проверки:
- Убедитесь, что воздушный фильтр установлен.
- Убедитесь, что воздухозаборная и воздуховыпускная решетки наружного блока не загорожены посторонними предметами.

Чистка воздушного фильтра:

- Воздушный фильтр очищает воздух, поступающий в кондиционер, от пыли и посторонних частиц.
- При загрязнении фильтра производительность кондиционера резко снижается.
- При постоянной эксплуатации кондиционера фильтр следует чистить каждые две недели.
- Если кондиционер установлен в помещении с запыленной атмосферой, то воздушный фильтр следует чистить чаще.
- Для извлечения фильтра откройте воздухозаборную решетку панели внутреннего блока. Нажмите на фиксаторы решетки к середине и потяните решетку вниз. Снимите воздухозаборную решетку.
- Извлеките воздушный фильтр. Очистите фильтр пылесосом или сполосните его в чистой воде. Если фильтр сильно загрязнен, почистите его мягкой щеткой и промойте в слабом моющем растворе, затем просушите в прохладном месте.
- При чистке фильтра пылесосом держите его загрязненной поверхностью вверх. При промывании фильтра в воде держите его загрязненной поверхностью вниз.
- Не сушите фильтр на солнце или вблизи огня.
- Установите воздушный фильтр в исходное положение и закройте воздухозаборную решетку.



22.



HYUNDAI

Электрический кондиционер воздуха. Сплит-система

УВАЖАЕМЫЙ ПОКУПАТЕЛЬ!

Мы всегда рады предложить Вашему вниманию удобные пользовательские сервисы и продукты, нацеленные на то, чтобы сделать использование и обслуживание техники Hyundai еще более комфортным и удобным.

Именно поэтому мы рекомендуем Вам воспользоваться услугами специализированного портала www.btpart.ru, с помощью которого Вы можете заказать и оформить доставку всех необходимых расходных материалов и запчастей в течение гарантированного срока.

Всю дополнительную информацию о работе портала Вы можете найти на сайте www.hc-hvac.ru



Электрический кондиционер воздуха. Сплит-система

HYUNDAI

| 23.



HYUNDAI



Гарантийный талон

Территория действия:
Российская Федерация

Уважаемый покупатель! Обратите особое внимание на стр. 32

Действителен с Января 2014 года

Гарантийные обязательства



ВНИМАНИЕ!

Гарантийное обслуживание и ремонт электрического кондиционера воздуха Hyundai с соблюдением требований и норм Изготовителя (Hyundai) производятся на территории РФ только в авторизованных сервисных центрах Изготовителя или мастерских, уполномоченных производителем и работающих с ним на основании договора. Срок проведения экспертизы и гарантийного ремонта - не более 45 дней с момента приемки дефектного изделия авторизованным сервисным центром Hyundai.

Если при эксплуатации изделия Вы столкнулись с неполадками в его работе, которые Вы не можете устранить самостоятельно в строгом соответствии с Руководством по эксплуатации изделия, обратитесь к региональному представителю Изготовителя в России или в региональный авторизованный сервисный центр Hyundai, уточнив адрес у продавца. Полный перечень сервисных центров указан на сайте: www.hc-hvac.ru или приложен отдельным списком в комплекте с изделием.

Вы можете обратиться в уполномоченную сервисную службу Изготовителя по телефону: **+7 (495) 627-5285**, либо по телефонам, указанным на сайте: www.hc-hvac.ru, или отправить сообщение по электронному адресу: service@hc-hvac.ru

Если отсутствие надлежащим образом заполненного гарантийного талона на изделие или отсутствие чека с указанием изделия не позволяет идентифицировать изделие и факт его продажи на территории РФ, то Изготовитель вправе отказать в гарантийном обслуживании изделия.

При невозможности определить дату продажи изделия, гарантийный срок исчисляется с даты его производства.

Дата производства изделия определяется по реестру Изготовителя в соответствии с серийным номером изделия.

Официальный срок службы электрического кондиционера воздуха Hyundai, установленный изготовителем, составляет 10 лет, со дня передачи изделия потребителю.

Указанный срок службы действителен только при условии соблюдения правил эксплуатации и правильного ухода за изделием.

Во избежание недоразумений убедительно просим Вас внимательно изучить Руководство по эксплуатации изделия и условия гарантийных обязательств, проверить правильность заполнения бланка гарантийного талона. Согласно требованиям Изготовителя, гарантийный талон действителен только при наличии четко и правильно указанных данных: модели, серийного номера изделия, даты покупки, данных фирмы-продавца, подписи покупателя. Соответствующие данные также должны быть указаны продавцом на отрывных талонах. В гарантийном талоне обязательным является указание даты запуска изделия в эксплуатацию и штамп уполномоченной организации, произведшей запуск в эксплуатацию. При проведении планового профилактического обслуживания изделия специалист сервисного центра должен заполнить соответствующую часть гарантийного талона, поставить подпись и печать сервисного центра. Модель и серийный номер изделия (на маркировочной (идентификационной) наклейке Изготовителя на изделии (ID) должны соответствовать указанным в гарантийном талоне продавцом. При нарушении этих условий, а также в случае, когда данные, указанные в гарантийном талоне, изменены или стерты, талон может быть признан недействительным.





ВНИМАНИЕ!

Производитель рекомендует приобретать приборы Hyundai только у авторизованных продавцов.

Данным гарантийным талоном Изготовитель подтверждает принятие на себя обязательств по удовлетворению законных требований потребителей в случае обнаружения недостатков изделия, возникших по вине Изготовителя в течение установленного гарантийного срока.

Гарантийный срок для кондиционера воздуха Hyundai, установленный изготовителем, составляет 2 года, со дня передачи изделия потребителю.

Увеличенный гарантийный срок*

Увеличенный гарантийный срок для компрессора кондиционера воздуха Hyundai составляет 3 года*, со дня передачи изделия потребителю.

Гарантийный срок действителен для изделий, произведенных начиная с 01.01.2015 и имеющих ID установленной формы (см. рис. 1):



Рис. 1

Гарантийные обязательства дополняют и уточняют оговоренные законом обязательства, предполагающие соглашение сторон либо договор; выдаются Изготовителем в дополнение к законным правам потребителей и ни в коей мере их не ограничивают. Гарантия Изготовителя действительна только на территории РФ на изделия, купленные на территории РФ и изготовленные для РФ.

* - увеличенный гарантийный срок на отдельные компоненты и узлы изделий действует только при условии регулярного проведения профилактического обслуживания изделия специалистами авторизованного сервисного центра. После каждого обслуживания в гарантийном талоне должны проставляться печати сервисного центра, подтверждающие факт прохождения обслуживания. Если пользователь пропускает хотя бы одно обслуживание, то увеличенный гарантийный срок на указанный компонент перестает действовать, и гарантийный срок остается стандартным, как на весь прибор в целом. Перечень профилактических работ, а также примерные сроки прохождения периодического обслуживания, указаны в таблице 1.

Изготовитель оставляет за собой право:

- отказать в гарантийном сервисном обслуживании изделия в случае несоблюдения изложенных ниже условий (см. «Досрочное прекращение гарантийного обслуживания»);
- самостоятельно инициировать независимую экспертизу для выяснения обстоятельств, приведших к выходу прибора из строя;
- сравнивать предоставленную маркировочную (идентификационную) наклейку изделия (ID) с данными реестров производства для проверки соответствия серийного номера изделия уникальным производственным номерам реестров.
- предоставлять дополнительную гарантию; информация об условиях дополнительной гарантии содержится на сайте www.hc-hvac.ru.



Просим Вас хранить Гарантийный талон в течение всего гарантийного срока, установленного Изготовителем на приобретенное Вами изделие.

При покупке изделия требуйте от продавца проверку его комплектности и отсутствия механических повреждений в Вашем присутствии, а также правильного и четкого заполнения данного гарантийного талона. Претензии по некомплектности и выявленным механическим повреждениям после продажи изделия не принимаются.



Установка, подключение и запуск в эксплуатацию данного изделия допускается исключительно специалистами и организациями, имеющими лицензии или соответствующие разрешения (допуски) на данный вид деятельности, либо специалистами и организациями, авторизованными для монтажа и/или обслуживания данного вида техники.

О необходимости проведения тех или иных монтажных и/или сервисных работ специализированными организациями Вы можете узнать, внимательно ознакомившись с Руководством по эксплуатации на приобретенное Вами изделие.

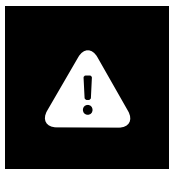
Для монтажа приобретенного оборудования Вы можете воспользоваться платной услугой специалистов авторизованных сервисных центров Hyundai, которые проведут все необходимые работы для длительного и безопасного использования приобретенного Вами изделия.

Вы можете также воспользоваться услугами любых других квалифицированных специалистов, однако, в этом случае, если изделие вышло из строя вследствие неправильной установки и подключения, Вы теряете право на бесплатное гарантийное обслуживание.

Досрочное прекращение гарантийного обслуживания.

Все условия гарантийного обслуживания регулируются Законодательством РФ и Законом РФ «О защите прав потребителей». В частности, отказ в бесплатном гарантийном обслуживании изделия может быть вызван:

- нарушением при оформлении гарантийного талона при продаже изделия;
- отсутствием товарного или кассового чека о продаже изделия или невозможностью определить продавца изделия;
- наличием следов механических повреждений, возникших после передачи изделия потребителю и явившихся возможной причиной возникновения дефекта;
- наличием повреждений, вызванных несоответствием стандартам параметров питающих сетей и других подобных внешних факторов, а также вызванных использованием нестандартных, неоригинальных (или некачественных) аксессуаров, принадлежностей, запасных частей, элементов и т.д.;
- нарушением правил Руководства по эксплуатации данного изделия;
- наличием следов несанкционированного вскрытия и/или ремонта изделия (за исключением случаев, предусмотренных Руководством по эксплуатации), повлекших за собой отказ в работе изделия;
- дефектом или отказом системы или ее части, где изделие использовалось как часть системы и это могло привести к дефекту или отказу изделия.



ВНИМАНИЕ!

Если в результате экспертизы/диагностики изделия установлено, что его недостатки возникли вследствие обстоятельств, за которые не отвечает продавец (изготовитель), либо недостатки в товаре отсутствуют, Потребитель обязан возместить продавцу (изготовителю или уполномоченной изготовителем организации) расходы на проведение экспертизы (диагностики), а также связанные с ее проведением расходы на хранение и транспортировку товара) в соответствии с Законом РФ «О защите прав потребителей» № 171-ФЗ в ред. от 21.12.2004 ст. 18 п.5.

Гарантийные обязательства не распространяются на перечисленные ниже части и принадлежности изделия, если их замена не связана с разборкой самого изделия или их замена требуется при профилактическом обслуживании:

- монтажные приспособления, инструмент и документацию, прилагаемую к изделию;
- расходные части изделия, подразумевающие периодическую замену за счет потребителя (фильтрующие элементы, элементы питания и др.);
- части и узлы изделия, неисправность которых связана с естественным износом в процессе эксплуатации (фильтрующие элементы, втулки, подшипники и т.д.);
- материалы, наклеенные на изделие, имеющие рекламное или информационное назначение, за исключением маркировочной (идентификационной) наклейки Изготовителя (ID).



ВНИМАНИЕ!

Если маркировочная (идентификационная) наклейка на изделие Hyundai (ID) закреплена на изделии не плотно и существует риск ее утери, то вклейте ее в гарантийный талон на последней странице.

Изготовитель не несет гарантийных обязательств за изделие в следующих случаях:

- если изделие использовалось в иных целях, не соответствующих его прямому назначению в соответствии с Руководством по эксплуатации;
- если на изделии отсутствует маркировочная (идентификационная) табличка Изготовителя (ID);
- если изделие имеет следы несанкционированного вскрытия, не предусмотренного Руководством по эксплуатации, и попыток неквалифицированного ремонта;
- если дефект вызван изменением/нарушением конструкции или схемы изделия, не предусмотренным Изготовителем;
- если обнаружены повреждения, вызванные попаданием внутрь изделия посторонних предметов, веществ, жидкостей, насекомых, скоплением большого количества пыли;
- если обнаружены повреждения, вызванные подключением к сетям с недопустимыми параметрами;
- если дефект вызван действием непреодолимых сил, несчастными случаями, умышленными или неосторожными действиями потребителя или третьих лиц;
- если нарушены требования Изготовителя по проведению обязательных для сохранения гарантии и продления срока службы профилактических работ, описанных в Руководстве по эксплуатации;
- неправильного хранения (консервации / разборки-сборки на период хранения) изделия;
- если монтаж и использование изделия производится без разрешительной документации исполнительных органов власти субъектов РФ там, где подобная документация требуется в соответствии с требованиями законодательства РФ (в т.ч. Жилищного Кодекса РФ);
- если покупатель самостоятельно без учета рекомендаций Изготовителя и продавца купил кондиционер надлежащего качества и установил в помещении, для которого изделие не подходит по своим техническим характеристикам;
- некачественного монтажа неавторизованной организацией/частными лицами, если не была правильно проведена вакуумация трубопроводов, была проведена заправка недостаточного количества хладагента или допущены другие ошибки при монтаже (перегиб трубопроводов, негоризонтальное расположение блоков, нарушение допустимых перепадов высот установки между блоками и т.д.);
- эксплуатации изделия в недопустимых условиях и с нарушением режимов работы, прописанных в Руководстве по эксплуатации (например, использование вне рабочего температурного диапазона, указанного в технических характеристиках);
- если неисправность была вызвана нарушением сроков периодического обслуживания изделия;
- если неисправность была вызвана сильными загрязнениями фильтров и/или испарителя/конденсатора пылью, листвой, насекомыми и другими предметами.



Изготовитель снимает с себя любую ответственность за возможный вред, прямо и или косвенно нанесенный продукцией Hyundai людям, домашним животным, и имуществу, в случаях, если это произошло в результате несоблюдения правил и условий эксплуатации или вследствие неквалифицированной установки (профилактики, обслуживания, ремонта) изделия, умышленных или неосторожных действий потребителя или третьих лиц.

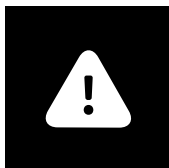
Рекомендуемые профилактические работы для увеличения срока гарантии на компрессор кондиционера, а также для выполнения условия долговременной работы кондиционера, в рамках заявленного срока службы и более.

Таблица 1.

Наименование рекомендуемых профилактических работ	Для бытовых помещений		Для офисных помещений		Для торговых помещений	
	Рекомендуемый интервал	Рекомендуемые сроки	Рекомендуемый интервал	Рекомендуемые сроки	Рекомендуемый интервал	Рекомендуемые сроки
Чистка теплообменников внешнего и внутреннего блоков						
Мойка ванны для сбора конденсата		Июль		Май, август		Май, июль, сентябрь
Продувка трубопровода конденсата	Не реже 1-го раза в год		Не реже 2-х раз в год		Не реже 3-х раз в год	
Общая проверка системы						
Дозаправка (при необходимости)						
Чистка крыльчатки вентилятора внутреннего блока						

**ВНИМАНИЕ!**

Пожалуйста, потребуйте от продавца полностью, четко и правильно заполнить бланк Гарантийного талона.

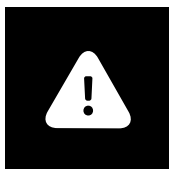
**ВНИМАНИЕ!**

Техническое (профилактическое) обслуживание изделия не входит в гарантийные обязательства изготовителя и продавца и является дополнительной платной услугой.

Для ряда территорий могут действовать исключительные правила гарантии, увеличивающие срок на изделие или компоненты. Такие правила устанавливаются только по распоряжению Производителя официальным письмом Производителя.

**ВНИМАНИЕ!**

Срок проведения экспертизы и гарантийного ремонта - не более 45 дней с момента приемки дефектного изделия авторизованным сервисным центром Hyundai.

**ВНИМАНИЕ!**

Большинство приборов торговой марки Hyundai требуют профессиональных консультаций со специалистами соответствующей квалификации в процессе подбора, а также при вводе их в эксплуатацию. Производитель рекомендует приобретать приборы Hyundai только у авторизованных им продавцов. В предоставлении дополнительной гарантии может быть отказано, если прибор Hyundai был приобретен у продавцов, указанных в соответствующем разделе на сайте www.hc-hvac.ru, не исполняющих полностью или частично требований производителя к правилам обслуживания покупателей, а также требований производителя к предоставлению стандартных условий приобретения приборов Hyundai.

Покупатель информирован о том, что он не вправе требовать возврата или обмена купленного изделия в порядке статьи 25 Закона «О защите прав потребителей» и статьи 502 Гражданского Кодекса РФ в соответствии с п.11 «Перечня непродовольственных товаров надлежащего качества, не подлежащих возврату или обмену на аналогичный товар другого размера, формы, габарита, фасона, расцветки или комплектации» Постановления Правительства РФ от 19.01.1998 г. №55.

Подписывая данный гарантийный талон, Покупатель признает, что он:

1. Проверил заполнение информации на всех страницах.
2. Получил Руководство по эксплуатации на изделие на русском языке.
3. Владеет всей необходимой информацией о приобретенном изделии и его потребительских свойствах, характеристиках в соответствии со статьей 10 Закона РФ «О защите прав потребителей».
4. Ознакомлен и полностью согласен с условиями и ограничениями гарантийного обслуживания, а также с условиями установки / подключения / сервисного обслуживания / эксплуатации приобретенного изделия.
5. Не имеет претензий к внешнему виду / комплектности / работоспособности (если прибор проверялся в его присутствии при продаже) приобретенного изделия.



Подпись покупателя (с расшифровкой)

_____ / _____

Дата

Бланк гарантийного талона



ВНИМАНИЕ!

Пожалуйста, потребуйте от продавца полностью заполнить бланк гарантийного талона и отрывные талоны.

Заполняется фирмой-продавцом

Изделие
Модель
Серийный номер
Дата продажи
Фирма-продавец
Адрес фирмы-продавца
Телефон фирмы-продавца

HYUNDAI

Печать
фирмы-
продавца



Без подписи покупателя на странице 10 гарантийный талон является недействительным.

Заполняется установщиком

Сведения об установке изделия

Фирма-установщик
Номер сертификата
Дата установки
Мастер

HYUNDAI

Печать
фирмы
-установщика

Заполняется сервисным центром

«А»

Дата приема

Дата выдачи

Особые отметки

Печать
сервисного
центра

«Б»

Дата приема

Дата выдачи

Особые отметки

Печать
сервисного
центра



RU

«В»

Дата приема

Дата выдачи

Особые отметки

Печать
сервисного
центра

«Г»

Дата приема

Дата выдачи

Особые отметки

Печать
сервисного
центра

Дата приема	
Дата выдачи	
Особые отметки	
Номер заказа-наряда	
Проявление дефекта	
Мастер	Печать сервисного центра
Код неисправности	
.....		Заполняется сервисным центром

Дата приема	
Дата выдачи	
Особые отметки	
Номер заказа-наряда	
Проявление дефекта	
Мастер	Печать сервисного центра
Код неисправности	
.....		Заполняется сервисным центром



Дата приема	
Дата выдачи	
Особые отметки	
Номер заказа-наряда	
Проявление дефекта	
Мастер	Печать сервисного центра
Код неисправности	
.....		Заполняется сервисным центром

Дата приема	
Дата выдачи	
Особые отметки	
Номер заказа-наряда	
Проявление дефекта	
Мастер	Печать сервисного центра
Код неисправности	
.....		Заполняется сервисным центром

Отрывной талон «А»

Изделие	HYUNDAI
Модель	
Серийный номер	
Дата продажи	
Фирма-продавец	Печать фирмы- продавца
Заполняется фирмой-продавцом		

Отрывной талон «Б»

Изделие	HYUNDAI
Модель	
Серийный номер	
Дата продажи	
Фирма-продавец	Печать фирмы- продавца
Заполняется фирмой-продавцом		

RU

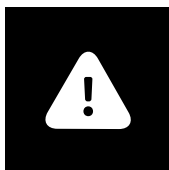
Отрывной талон «В»

Изделие	HYUNDAI
Модель	
Серийный номер	
Дата продажи	
Фирма-продавец	Печать фирмы- продавца
Заполняется фирмой-продавцом		

Отрывной талон «Г»

Изделие	HYUNDAI
Модель	
Серийный номер	
Дата продажи	
Фирма-продавец	Печать фирмы- продавца
Заполняется фирмой-продавцом		

Страна	Наименование сервисного центра	Код города	Телефон	Фактический адрес, электронный адрес	Примечание
Россия	ООО «Авангард Холгро»	(495)	710-71-72, 627-52-85	г. Москва, Ленинградское ш., д. 57, корп.12, 2 этаж service@hc-hvac.ru	Единая сервисно-информационная служба на территории России.
Казахстан				kz.service@hyundai-hvac.com	
Белорусия				by.service@hyundai-hvac.com	



Вниманию покупателей!

Список сервисных центров Hyundai может быть дополнен или изменен без специального предварительного уведомления. Информация регулярно обновляется на сайте: www.hc-hvac.ru, в разделе «Сервис».

Также вы всегда можете задать свои вопросы, касающиеся сервисного обслуживания техники Hyundai, позвонив по телефону: +7 (495) 627-5285.

Если у вас возникли претензии к работе сервисного центра Hyundai в вашем городе, просьба информировать об этом Генерального сервисного партнера Hyundai по телефону: +7 (495) 627-5285 или электронной почте: service@hc-hvac.ru своевременно. Также мы будем благодарны, если вы сообщите нам о некорректных данных (адрес, контактный телефон, название и т.п.) сервисного центра Hyundai в вашем городе, указанного в специальной информационной вкладке.

Ваши пожелания помогут нам организовать сервисную поддержку техники Hyundai на более высоком уровне.

Спасибо за сотрудничество!





KO 제품 품질 보증 쿠폰은 해당 지역 디스트리뷰터에 요청하시기 바랍니다.



EN Ask distributor of your region for Warranty Coupon of a product.



ES Pida la garantía al distribuidor en su país.



KZ Бұйымның кепілдік талонын сатылған ел аумағындағы дистрибьютордан сұрастырыңыз.



BY Гарантыйны талон на выраб запытваць у дыстрыбутара на тэрыторыі краіны продажу.

Гарантийный талон

HYUNDAI

| 41.

.....

.....

.....

.....

.....

.....

.....

.....

.....

.....

.....

.....

.....

.....

.....

.....

.....

.....

.....

.....

.....

.....

.....



42.



HYUNDAI

Гарантийный талон

.....

.....

.....

.....

.....

.....

.....

.....

.....

.....

.....

.....

.....

.....

.....

.....

.....

.....

.....

.....

.....

.....

.....

.....



.....

.....

.....

.....

.....

.....

.....

.....

.....

.....

.....

.....

.....

.....

.....

.....

.....

.....

.....

.....

.....

.....

.....

.....

.....



HYUNDAI

Licensed by Hyundai Corporation, Korea

www.hyundai-hvac.com



EAC CE