

HYUNDAI

RU

Электрический кондиционер воздуха Сплит-система

Руководство по эксплуатации
Гарантийный талон

Electric air conditioner Split system

Instruction manual
Warranty card

EN

Модели / Models

Внутренний блок Indoor unit

H-AR19-07H/I
H-AR19-09H/I
H-AR19-12H/I
H-AR19-18H/I
H-AR19-24H/I
H-AR19-30H/I
H-AR19-36H/I

Наружный блок Outdoor unit

H-AR19-07H/O
H-AR19-09H/O
H-AR19-12H/O
H-AR19-18H/O
H-AR19-24H/O
H-AR19-30H/O
H-AR19-36H/O

Contents

1. Important information	2
2. Safeguards	3
3. Specifications	4
4. Appliance description	6
5. Delivery set	7
6. Appliance control	7
Control panel for indoor unit	7
Remote control board	8
7. Operating modes	9
8. Maintenance	10
9. Recycling, lifetime, warranty period	11
10. Transportation and storage	11

Dear Customer!

Thank you for a shrewd choice and purchase of Hyundai portable electric air conditioner. It will serve you for a long time.

1. IMPORTANT INFORMATION

The appliance is designed for air cooling in domestic premises. The manufacturer reserves the right to introduce changes in design, configuration and processing of the article with a view to improve its properties without any prior notification of customers. There may be some misprints in text and digital notations of the present manual.

If after reading of this manual you have any questions concerning work and operation of the appliance, please, refer to a shop assistant or to a specialized service center for further explanations.

The article has a label with all the needed technical data and other useful information about the appliance. Use the appliance only for its intended purpose indicated in this manual.

2. SAFEGUARDS

1. Don't try to install the conditioner by yourself. Call for a qualified installation specialist.
2. While using the air conditioner, it is necessary to observe several precautions. Incorrect operation due to ignoring of precautions may result in personal injury of a user and other people, as well as in damaging of their property.
3. The electric appliance should be under observation while operated, especially if there are any children near it.
4. Don't pass your fingers or foreign objects through an air outlet grille of indoor and outdoor units, since it may result in a trauma caused by a revolving fan.
5. Don't let children turn the conditioner on by themselves. Children may turn the conditioner on only under the care of adults.
6. Don't try to repair the conditioner by yourself. Internal units of the conditioner carry a voltage and it is life-threatening! For repair of the appliance refer to an authorized service center.
7. Don't use the appliance if it is faulty, or if it was dropped or damaged.
8. Don't open a front panel of the appliance during its work.
9. Don't dismantle and modify the appliance.
10. Unplug the conditioner immediately, if it emits strange odours or smoke.
11. Don't splash and pour water and other liquids on the conditioner.
12. Always unplug the conditioner during a thunderstorm.
13. Always unplug the conditioner, when it is not used.
14. Before cleaning and maintenance of the conditioner unplug it. Cleaning and maintenance should be performed in accordance with instructions of this manual.
15. To ensure the effective work of the conditioner, operate it in environment described in the present manual.
16. Don't use dangerous chemicals for cleaning of the appliance and don't let them on the appliance.
17. When removing an air filter, don't touch metal parts of the appliance.
18. To avoid overheating and risk of flash fire, as well as damage of internal electric network, don't change the length of a power cord and don't connect the appliance via extension cords.
19. To avoid electrical hazards, damaged power cord must be changed only at authorized service centers qualified professionals.
20. To avoid risk of electric shock, do not place the power cord near a heater and flammable or combustible substances.
21. Do not start or stop the unit by connecting or disconnecting electrical power.
22. Don't press the buttons of the remote control board by anything but your fingers.
23. Don't use the appliance for purposes not intended by this user manual.

3. SPECIFICATIONS

Tab.1

Indoor unit Outdoor unit	Units	H-AR19-07H/I H-AR19-07H/O	H-AR19-09H/I H-AR19-09H/O
Capacity (cooling)	BTU (W)	7291 (2137)	9144 (2680)
Capacity (heating)	BTU (W)	7633 (2237)	9315(2730)
Rated power consumption (cooling/heating)	W	662/608	832/743
Power source	V/Hz	220~/50	220~/50
Amperage (cooling/heating)	A/A	2.99/2.7	3.66/3.29
Air consumption (indoor unit/ outdoor unit)	m ³ /h	420/1100	450/1300
Noise level (indoor unit/outdoor unit)	dB	33/29/27/24 48	33/30/27/24 50
Ingress Protection Rating (indoor unit/outdoor unit)	-	IPX0/IPX4	IPX0/IPX4
Refrigerant		R410A	R410A
Energy efficiency (cooling/heating) (indoor unit)	-	A/A	A/A
Energy efficiency (cooling/heating) (outdoor unit)	-	A/A	A/A
IEC protection class (indoor unit/ outdoor unit)	-	I/I	I/I
Refrigerant piping (Liquid side / Gas side)	inch	1/4 & 3/8	1/4 & 3/8
Max. refrigerant pipe length	m	10	10
Maximum difference in level	m	7	7
Operating temperature range (cooling)	°C	18-47	18-47
Operating temperature range (heating)	°C	0-24	0-24
Filling of Freon	g	400	540
Net/gross weight (indoor unit)	kg	6.8/8.53	7.3/8.5
Net/gross weight (outdoor unit)	kg	21.28/23.28	22.1/23.9
Net dimensions (indoor unit/ outdoor unit)	mm	690*283*199/ 663*254*421	690*283*199/ 663*254*421
Packing dimensions (indoor unit/ outdoor unit)	mm	740*343*264/ 760*343*478	740*343*264/ 760*343*478
Distance between brackets (outdoor unit)	mm	430	430

The technical parameters can be changed without compromising product quality.

H-AR19-12H/I H-AR19-12H/O	H-AR19-18H/I H-AR19-18H/O	H-AR19-24H/I H-AR19-24H/O	H-AR19-30H/I H-AR19-30H/O	H-AR19-36H/I H-AR19-36H/O
12590(3690)	19796(5802)	25460(7462)	27675(8111)	32946(9656)
12931(3790)	20363(5968)	26259(7696)	29289(8584)	33414(9793)
1148/1008	1802/1638	2322/2118	2456/2365	2830/2698
220~/50	220~/50	220~/50	220~/50	220~/50
5.16/4.61	8.03/4.61	10.53/10.05	11.4/10.3	14.9/14.3
550/1500	800/2500	1050/2700	1200/2700	1200/2900
36/33/30/27 52	38/35/32/29 54	40/37/34/31 55	48/44/40/34 58	48/44/40/34 58
IPX0/IPX4	IPX0/IPX4	IPX0/IPX4	IPX0/IPX4	IPX0/IPX4
R410A	R410A	R410A	R410A	R410A
A/A	A/A	A/A	A/A	A/A
A/A	A/A	A/A	A/A	A/A
I/I	I/I	I/I	I/I	I/I
1/4 & 3/8	1/4 & 1/2	1/4 & 1/2	1/4 & 5/8	1/4 & 5/8
10	15	20	22	22
7	10	10	12	12
18-47	18-47	18-47	18-47	18-47
0-24	0-24	0-24	0-24	0-24
610	1000	1560	1690	2100
8.02/9.26	11/13	11/15	18.75/22	19/22.5
25.91/28.59	34/38	44/48.5	60.6/65.6	61/66.5
750*285*200/ 710*500*240	900*310*225/ 795*525*290	900*310*225/ 800*690*300	1082*330*233/ 800*690*300	1082*330*233/ 900*700*350
850*345*265/ 780*570*345	950*380*290/ 907*382*600	950*380*290/ 940*420*750	1130*395*300/ 940*750*420	1130*395*300/ 1020x770x430
500	545	540	540	630

4. APPLIANCE DESCRIPTION

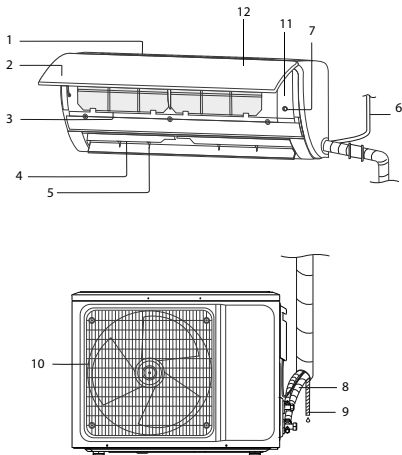


Fig. 1

The conditioner consists of indoor and outdoor units connected by pipelines. The conditioner may be controlled from a remote control board or from an indoor unit control panel.

1. Conditioner unit for indoor installation.
2. Front panel.
3. Air filter.
4. / 5. Blinds (deflectors) for distribution of treated air.
6. Copper tube of gas (freon). Connecting line.*
7. Condensate drain pipe.*
8. Copper tube for gas (freon),connection line.
9. Tube for condensate removal*.
10. Air-intake grille of the outdoor unit.
11. Button power (auto).
12. Hidden display.

* not supplied

5. DELIVERY SET

Complete set of air conditioner (split system) includes:

Conditioner unit for indoor installation – 1 piece

Conditioner unit for outdoor installation – 1 piece

Remote control board – 1 piece

Batteries for remote control board – 2 pcs.

User manual – 1 piece

Warranty card – 1 piece

Packing of indoor-installation unit – 1 piece

Packing of outdoor-installation unit – 1 piece

6. DEVICE CONTROL

Emergency operation

If the remote controller is lost or broken, use force switch button to operate the air conditioner.

If this button is pushed with the unit OFF, the air conditioner will operate in Auto mode.

If this button is pushed with the unit ON, the air conditioner will stop running.

EN

Emergency operation

1. Use "SWING" button on the remote controller to adjust the airflow direction. Refer to the operation manual of the remote controller for detail.

2. For models without "SWING" function, the fins has to be moved manually.



NOTE!

Move the fins before the unit is in operation, or your finger might be injured. Never place your hand into the air inlet or outlet when the air conditioner is in operation.



Your device is equipped with a function for connecting an additional module, for controlling the air conditioner via Wi-Fi. Wi-Fi control works only after connecting an additional module (sold separately).

You may find detailed instructions for installing the module in the air conditioner and for configuring the software into user's manual for the Wi-Fi module.

Remote control

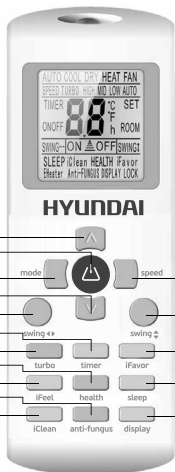


Fig. 2

Controlling the direction of the airflow horizontally. Press this button to activate left / right in the SWING mode and re-set the SWING mode.

7. SWING (Vertical rotation mode)

Controlling the direction of the airflow along the vertical. Press this button to activate up / down in the «SWING» mode and re-set the «SWING» mode.

8. TURBO mode

Automatic operation of maximum cooling (in cooling mode) or maximum heating (in heating mode).

9. TIMER

Setting the on/off time of the air conditioner by timer

10. iFAVOR

Return the device to the user's previous personal settings (option is not supplied in this model).

11. iFEEL

Click this button to display temperature settings in the control panel for a comfortable temperature, and press again to adjust the pre-set temperature.

1. POWER

Turns the air conditioning on / off.

2. MODE

Selecting the operating mode: AUTO - COOLING - DRYING - HEATING - VENTILATION.

3. SPEED

Selection of the ventilation speed according to the scheme: LOW - MEDIUM - HIGH - AUTO.

Note: AUTO air speed is not available in ventilation mode.

4,5. Buttons up, down

The «up» button (4) - the temperature will rise by 1 °C. The «down» button (5) - the temperature will drop by 1 °C. The temperature setting range is from 16 °C (60 °F) to 32 °C (90 °F).

6. SWING - Horizontal rotation mode (in this model the function is not provided)

12. HEALTH

Activating the ionization function (option is not supplied in this model).

13. SLEEP

Enabling the «SLEEP» mode from which the device will be released after 10 hours and will reboot to the previous state.

14. iCLEAN

Click it and the device will be cleaned automatically of dust and will increase the efficiency of cooling and heating. «iCLEAN» mode works for about 30 minutes.

15. ANTI-FUNGUS

Starting the automatic drying mode of the indoor unit.

16. DISPLAY

Press this button to turn on/off the display.

7. OPERATING MODES

Automatic operation mode

1. Press the «MODE» button, select the automatic operation mode.
2. By pressing the «SPEED» button, you can select the fan speed from LOW, MID, HIGH, AUTO.
3. Press the «ON/OFF» button, the air-conditioner starts to operate.
4. Press the «ON/OFF» button again, the air-conditioner stops.

Note: In the fan operation mode, the temperature settings is non-effective.

Cooling/Heating operation mode

1. Press the «MODE» button, select the Cooling or Heating operation mode.
2. By pressing the « \wedge » or « \vee » button, you can set the temperature range from 16 °C (60 °F)~32 °C (90 °F), the display changes as you touch the button.
3. By pressing the «SPEED» button, you can select the fan speed from LOW, MID, HIGH, AUTO.
4. Press the «ON/OFF» button, the air-conditioner starts to operate.
5. Press the «ON/OFF» button again, the air-conditioner stops.

Note: The fan operation mode has no heating function.

Fan operation mode

1. Press the «MODE» button, select the fan operation mode.
2. By pressing the «SPEED» button, you can select the fan speed from LOW, MID, HIGH.
3. Press the «ON/OFF» button, the air-conditioner starts to operate.
4. Press the «ON/OFF» button again, the air-conditioner stops.

Note: In the fan operation mode, the temperature settings is non-effective.



Drying operation mode

1. Press the «MODE» button, select the drying operation mode.
2. Press the «ON/OFF» button, the air-conditioner starts to operate.
3. Press the «ON/OFF» button again, the air-conditioner stops.

Backlight function (for remote controllers with such function only)

The remote controller has a backlight which can be turned on by pressing any button for the convenience of operation in darkness. The backlight will be automatically turned off if there is no operation within 10 seconds.

8. MAINTENANCE

Before cleaning unplug the conditioner.

Cleaning of the indoor unit and remote control board:

- Indoor unit and remote control board should be cleaned with a dry soft cloth.
- If the indoor unit is too unclean, moisten the cloth with cold water.
- In order to avoid the damage of paint or details of the conditioner, do not clean it with brushes and do not leave them on the surface of indoor unit.
- In order to avoid the damage of surface or deformation of the conditioner details, do not clean it with petrol, solvents, cleaning powders or other chemically active substances.

EN

Before a sustained interruption in the conditioner work:

- Turn the conditioner on for several hours in the FAN mode. It will allow you to dry its inner cavities.
- Unplug the conditioner.
- Remove the batteries from the remote control board.

Cheks before starting:

- Make sure that an air filter is installed.
- Make sure that air inlet and outlet grilles of the outdoor unit are not blocked by foreign objects.

Cleaning of air filter.

- Air filter cleans the air entering the conditioner from dust and foreign particles. If the filter is contaminated, the conditioner capacity decreases sharply.
- If the conditioner is operated permanently, the filter should be cleaned once per two weeks.
- If the conditioner is installed in a room with dusty atmosphere, then the air filter should be cleaned more often.
- To remove the filter, open the indoor unit panel.
- Remove air filters. Clean the filter with a vacuum cleaner or rinse it in clean water. If the filter is contaminated heavily, clean it with a soft brush and wash in diluted washing solution, then dry it in a cool place.

- While cleaning the filter with the vacuum cleaner, hold it with contaminated surface up. While washing the filter in water, hold it with contaminated surface down.
- Do not dry the filter in the sun or near a fire.
- Set the air filter to initial position and close the panel.

9. RECYCLING, LIFETIME, WARRANTY PERIOD

After the lifetime of the device expires, it should be recycled in compliance with the laws, rules and methods in region of recycling. Detailed information about the recycling of the device, you can receive from a representative of the local government, after providing him full information about the device. The manufacturer and authorized person of the manufacturer do not carry responsibility for the fulfillment by the Buyer of the requirements of legislation on utilization and methods of utilization of the device selected by the Buyer. The lifetime of the device is indicated in the warranty card.

Warranty period for the device and warranty terms are specified in the warranty card. The warranty card is an integral part of the documentation supplied with this unit. If there is no warranty card in the delivery set, ask for it from the Seller. The warranty card provided by the Seller must conform to the manufacturer's form.

The manufacturer and the authorized person of the manufacturer remove responsibility for any possible harm which can be caused to people, animals or property directly or indirectly, if this harm occurred as a result of non-compliance with the rules and operating conditions, installation of the device, intentional or reckless actions of the user- and / or third parties, as well as in situations caused by natural and / or anthropogenic force majeure.

EN

10. TRANSPORTATION AND STORAGE

1. During transportation, any possible impacts and movements of the package inside the vehicle should be excluded.
2. Transporting and storage should be provided in strict accordance to the manipulation marks.
3. Outdoor unit should be transported strict vertical.

We are exploring new technologies and we constantly improving the quality of our products. That's why specifications, design and accessories are subject to change without any specific notice.

Temperature requirements*	Transportation and storage	From -30°C to +50°C
Humidity requirements*		From 15% to 85% (without a condensate)

* This product must have storage in dry, well-ventilated space of warehouse at the temperature not lower than -30°C.

Содержание

1. Важная информация	12
2. Меры предосторожности	13
3. Технические характеристики	14
4. Описание прибора	16
5. Комплект поставки	17
6. Управление прибором	17
Панель управления внутреннего блока	17
Пульт дистанционного управления (ПДУ)	18
7. Режимы работы	19
8. Уход и обслуживание	20
9. Утилизация, срок службы, гарантийный срок	21
10. Транспортировка и хранение	21
11. Информация о сертификации	22
12. Нормативные документы	23
Гарантийный талон	24
Адреса и телефоны авторизованных сервисных центров	38

RU

Уважаемый покупатель!

Благодарим Вас за удачный выбор и приобретение электрического кондиционера воздуха Hyundai. Он прослужит Вам долго.

1. ВАЖНАЯ ИНФОРМАЦИЯ

Прибор предназначен для охлаждения воздуха в бытовых помещениях. Производитель оставляет за собой право без предварительного уведомления покупателя вносить изменения в конструкцию, комплектацию или технологию изготовления изделия с целью улучшения его свойств. В тексте и цифровых обозначениях данного руководства могут быть допущены опечатки. Если после прочтения руководства у Вас останутся вопросы по работе и эксплуатации прибора, обратитесь к продавцу или в специализированный сервисный центр для получения разъяснений. На изделии присутствует этикетка, на которой указаны все необходимые технические данные и другая полезная информация о приборе. Используйте прибор только по назначению, указанному в данном руководстве.

2. МЕРЫ ПРЕДОСТОРОЖНОСТИ

1. Не пытайтесь самостоятельно устанавливать кондиционер. Обратитесь к квалифицированному специалисту по установке.
2. При использовании кондиционера, необходимо соблюдать ряд мер предосторожности. Неправильная эксплуатация в силу игнорирования мер предосторожности может привести к причинению вреда здоровью пользователя и других людей, а также нанесению ущерба их имуществу.
3. Электроприбор должен находиться под наблюдением во время его эксплуатации, особенно, если неподалёку от него находятся дети.
4. Не просовывайте пальцы или посторонние предметы через воздуховывпускную решетку внутреннего и наружного блоков, так как это может привести к травме от вращающегося вентилятора.
5. Не разрешайте детям самостоятельно включать кондиционер. Дети могут включать кондиционер только под присмотром взрослых.
6. Не пытайтесь самостоятельно ремонтировать кондиционер. Внутренние агрегаты кондиционера находятся под напряжением, это опасно для жизни! Для ремонта изделия обращайтесь в авторизованный сервисный центр.
7. Не используйте устройство, если оно неисправно, или если его уронили или повредили.
8. Не открывайте лицевую панель устройства во время его работы.
9. Не разбирайте и не модифицируйте устройство.
10. Незамедлительно отключите кондиционер от электрической сети, если от него идут странные запахи или дым.
11. Не брызгайте и не лейте воду и другие жидкости на кондиционер.
12. Всегда отключайте кондиционер от электрической сети во время грозы.
13. Всегда отключайте кондиционер от электрической сети, когда он не используется.
14. Перед началом чистки и технического обслуживания кондиционера отключите его от электрической сети. Чистку и техническое обслуживание производите в соответствии с указаниями данного руководства по эксплуатации.
15. Для обеспечения эффективной работы кондиционера эксплуатируйте его в температурно-влажностных условиях, указанных в данном руководстве по эксплуатации.
16. Не используйте опасные химические вещества для чистки устройства и не допускайте их попадания на прибор.
17. При снятии воздушного фильтра не касайтесь металлических частей устройства.
18. Во избежание перегрева и риска возникновения пожара, а также повреждения внутренней электрической сети, не изменяйте длину сетевого шнура и не подключайте устройство через электрические удлинители.
19. Во избежание опасности поражения электрическим током, поврежденный сетевой шнур должен меняться только в авторизованных сервисных центрах квалифицированными специалистами.
20. Во избежание опасности поражения электрическим током не размещайте шнур питания рядом с нагревательными приборами и легковоспламеняющимися или горючими веществами.
21. Не запускайте и не останавливайте устройство посредством подключения или отключения электрического питания.
22. Не нажимайте кнопки пульта посторонними предметами (только пальцами).

23. Используйте прибор только по его прямому назначению в соответствии с данной инструкцией.

3. ТЕХНИЧЕСКИЕ ХАРАКТЕРИСТИКИ

Таблица 1

Внутренний блок Внешний блок	Ед. изм.	H-AR19-07H/I H-AR19-07H/O	H-AR19-09H/I H-AR19-09H/O
Выходная мощность (охлаждение)	BTU (Вт)	7291 (2137)	9144 (2680)
Выходная мощность (обогрев)	BTU (Вт)	7633 (2237)	9315(2730)
Номинальная потребляемая мощность (охлаждение/обогрев)	Вт	662/608	832/743
Параметры электропитания	В/Гц	220~/50	220~/50
Номинальная сила тока (охлаждение/обогрев)	А	2.99/2.7	3.66/3.29
Расход воздуха (внутренний блок/внешний блок)	м³/ч	420/1100	450/1300
Уровень шума (внутренний блок/внешний блок)	дБ	33/29/27/24 48	33/30/27/24 50
Класс влагозащиты (внутренний блок/внешний блок)	-	IPX0/IPX4	IPX0/IPX4
Тип фреона	-	R410A	R410A
Класс энергоэффективности внутреннего блок/внешний блок (охлаждение/обогрев)	-	A/A	A/A
Класс электробезопасности (внутренний блок/внешний блок)	-	I/I	I/I
Диаметр труб (жидкость/газ)	дюйм	1/4 & 3/8	1/4 & 3/8
Максимальная длина трассы	м	10	10
Максимальный перепад высот между блоками	м	7	7
Диапазон рабочих температур (охлаждение)	°C	18-47	18-47
Диапазон рабочих температур (обогрев)	°C	0-24	0-24
Заправочный вес фреона	г	400	540
Вес нетто/брутто (внутренний блок)	кг	6.8/8.53	7.3/8.5
Вес нетто/брутто (внешний блок)	кг	21.28/23.28	22.1/23.9
Размер прибора (внутренний блок/внешний блок)	мм	690*283*199/ 663*254*421	690*283*199/ 663*254*421
Размеры в упаковке (внутренний блок/внешний блок)	мм	740*343*264/ 760*343*478	740*343*264/ 760*343*478
Расстояние между кронштейнами (внешний блок)	мм	430	430

Технические параметры могут быть незначительно изменены без ущерба для качества продукции.

H-AR19-12H/I H-AR19-12H/O	H-AR19-18H/I H-AR19-18H/O	H-AR19-24H/I H-AR19-24H/O	H-AR19-30H/I H-AR19-30H/O	H-AR19-36H/I H-AR19-36H/O
12590(3690)	19796(5802)	25460(7462)	27675(8111)	32946(9656)
12931(3790)	20363(5968)	26259(7696)	29289(8584)	33414(9793)
1148/1008	1802/1638	2322/2118	2456/2365	2830/2698
220~/50	220~/50	220~/50	220~/50	220~/50
5.16/4.61	8.03/4.61	10.53/10.05	11.4/10.3	14.9/14.3
550/1500	800/2500	1050/2700	1200/2700	1200/2900
36/33/30/27 52	38/35/32/29 54	40/37/34/31 55	48/44/40/34 58	48/44/40/34 58
IPX0/IPX4	IPX0/IPX4	IPX0/IPX4	IPX0/IPX4	IPX0/IPX4
R410A	R410A	R410A	R410A	R410A
A/A	A/A	A/A	A/A	A/A
I/I	I/I	I/I	I/I	I/I
1/4 & 3/8	1/4 & 1/2	1/4 & 1/2	1/4 & 5/8	1/4 & 5/8
10	15	20	22	22
7	10	10	12	12
18-47	18-47	18-47	18-47	18-47
0-24	0-24	0-24	0-24	0-24
610	1000	1560	1690	2100
8.02/9.26	11/13	11/15	18.75/22	19/22.5
25.91/28.59	34/38	44/48.5	60.6/65.6	61/66.5
750*285*200/ 710*500*240	900*310*225/ 795*525*290	900*310*225/ 800*690*300	1082*330*233/ 800*690*300	1082*330*233/ 900*700*350
850*345*265/ 780*570*345	950*380*290/ 907*382*600	950*380*290/ 940*420*750	1130*395*300/ 940*750*420	1130*395*300/ 1020*770*430
500	545	540	540	630

4. ОПИСАНИЕ ПРИБОРА

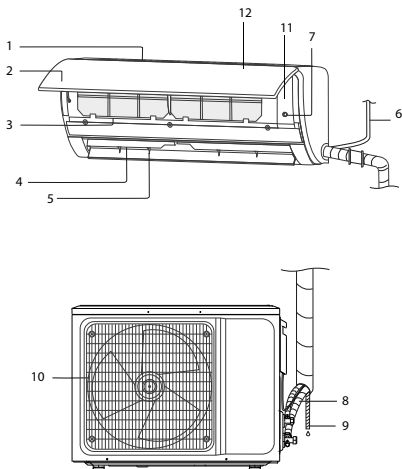


Рис. 1

Кондиционер состоит из внутреннего и наружного блоков, соединенных трубопроводами. Управление кондиционером осуществляется с пульта дистанционного управления или с панели управления внутреннего блока.

1. Внутренний модуль кондиционера.
2. Лицевая панель.
3. Воздушный фильтр.
4. / 5. Направляющие заслонки для раздачи обработанного воздуха.
6. Электропровод*.
7. Аварийный выключатель*.
8. Медная трубка газа (фреона), соединительная магистраль*.
9. Трубка для отвода конденсата*.
10. Воздуховыпускная решетка наружного блока.
11. Кнопка включения (auto).
12. Скрытый дисплей

* не входит в комплект поставки

5. КОМПЛЕКТ ПОСТАВКИ

В комплектацию кондиционера воздуха (сплит-системы) входит:

Блок кондиционера для внутренней установки – 1 шт.

Блок кондиционера для наружной установки – 1 шт.

Пульт дистанционного управления – 1 шт.

Элементы питания для пульта ДУ – 2 шт.

Руководство по эксплуатации – 1 шт.

Гарантийный талон – 1 шт.

Упаковка блока внутренней установки – 1 шт.

Упаковка блока наружной установки – 1 шт.

6. УПРАВЛЕНИЕ ПРИБОРОМ

Аварийный метод эксплуатации.

При утере или повреждении дистанционного пульта управления, можно управлять кондиционером с помощью аварийного выключателя.

После нажатия данной кнопки в выключенном состоянии, кондиционер включится и будет работать в автоматическом режиме.

После нажатия данной кнопки во время работы, кондиционер выключится.

RU

Регулировка направления воздушного потока.

1. Возможно регулировать направление воздушного потока с помощью кнопок «SWING» на дистанционном пульте управления. Подробный способ управления приведен в руководстве пользования дистанционным пультом.

2. Регулировка направления воздушного потока в горизонтальном положении осуществляется только вручную.



ВНИМАНИЕ!

Передвигайте направляющие заслонки перед включением, в противном случае есть опасность повреждения пальцев. Никогда не просовывайте пальцы в воздухозаборные, либо воздуховывпускные решётки во время работы кондиционера.



Ваш прибор обладает возможностью для подключения дополнительного блока, для управления кондиционером по Wi-Fi.

Управление по Wi-Fi работает только после подключения дополнительного блока (приобретается отдельно). Подробная инструкция по установке блока в кондиционер и по настройке программного обеспечения, находится в инструкции к блоку Wi-Fi.

Пульт дистанционного управления

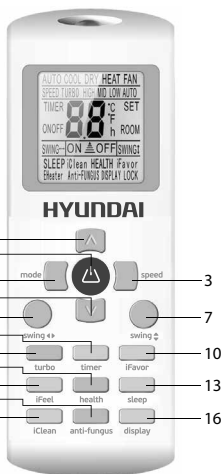


Рис. 2

1. Power (Питание)

Включает/выключает кондиционер.

2. MODE (Режим)

Выбор режима работы: АВТО (AUTO) — ОХЛАЖДЕНИЕ (COOL) — ОСУШЕНИЕ (DRY) — НАГРЕВ (HEAT) — ВЕНТИЛЯЦИЯ (FAN).

3. SPEED (Скорость)

Выбор скорости вращения вентилятора в соответствии со схемой: НИЗКАЯ (LOW) — СРЕДНЯЯ (MID) — ВЫСОКАЯ (HIGH) — АВТО.

Примечание: АВТО скорость воздуха недоступна в режиме вентиляции.

4, 5. Кнопки вверх, вниз соответственно

При нажатии кнопки «вверх» (4) температура повысится на 1 °С, при нажатии кнопки «вниз» (5) температура понизится на 1 °С. Диапазон настроек температуры – от 16 °С (60 °F) до 32 °С (90 °F).

6. SWING (Режим поворота по горизонтали) (в данной модели функция не предусмотрена).

7. SWING (Режим поворота по вертикали)

Управление направлением воздушного потока по вертикали. Нажмите данную кнопку для активации работы «вверх/вниз» в режиме «SWING».

8. TURBO (Турбо режим)

Автоматически включается работа максимального охлаждения (в режиме охлаждения) или максимального обогрева (в режиме обогрева).

9. TIMER (Таймер)

Позволяет установить время включения/отключения кондиционера по таймеру.

10. Функция iFAVOR

При нажатии возвращает устройство к предыдущим персональным настройкам пользователя (в данной модели функция не предусмотрена).

11. Функция iFEEL

Нажатие данной кнопки включает изменение температуры на пульте управления и позволяет настроить удобную температуру. Повторное нажатие сохраняет заданные параметры.

12. Функция HEALTH

Нажмите данную кнопку с ВКЛ устройством, которая активирует функцию ионизации (в данной модели функция не предусмотрена).

13. SLEEP (Режим сна)

В режиме SLEEP кондиционер в течение 10 часов меняет температуру для комфортного сна.

14. Функция iCLEAN

Нажмите данную кнопку, когда устройство ВЫКЛ, пульт дистанционного управления будет отображать «CL» и устройство будет автоматически очищаться от пыли и будет повышать эффективность охлаждения и обогрева. Режим «iCLEAN» работает примерно в течении 30 минут.

15. Функция ANTI-FUNGUS

При нажатии данной кнопки активируется режим автоматической просушки внутреннего блока.

16. DISPLAY (Экран)

Нажмите данную кнопку для включения/выключения дисплея.

RU

7. РЕЖИМЫ РАБОТЫ

Автоматический режим работы

1. Нажмите кнопку «MODE», выберите автоматический режим работы.
2. При помощи нажатия кнопки «SPEED» вы можете выбрать скорость вращения вентилятора - Низк., Сред., Выс., Авто.
3. Нажмите кнопку «ON/OFF», кондиционер начнет работать.
4. Нажмите кнопку «ON/OFF» заново и кондиционер прекратит работу.

Примечание: в режиме вентилятора настройки температуры не работают.

Режим работы в режиме охлаждения/обогрева

1. Нажмите кнопку «MODE», выберите режим работы охлаждения или обогрева.
2. При помощи нажатия кнопок «Λ» «V» вы можете выбрать температуру от 16 °C до 32 °C, отображение будет изменяться в соответствии с нажатием кнопки.
3. При помощи нажатия кнопки «SPEED» вы можете выбрать скорость вращения вентилятора - Низк., Сред., Выс., Авто.
4. Нажмите кнопку «ON/OFF», кондиционер начнет работать.
5. Нажмите кнопку «ON/OFF» заново и кондиционер прекратит работу.

Примечание: в режиме вентилятора нет функции обогрева.

Режим работы вентилятора

1. Нажмите на кнопку «MODE» для выбора режима работы вентилятора.
2. При помощи нажатия кнопки «SPEED» вы можете выбрать скорость вращения вентилятора - Низк, Сред, Высокой.
3. Нажмите кнопку «ON/OFF» кондиционер начнет работать.
4. Нажмите кнопку «ON/OFF» заново, кондиционер прекратит работу.

Примечание: в режиме вентилятора температура не настраивается.

Режим осушения

1. нажмите кнопку «MODE», выберите режим осушения.
2. Нажмите кнопку «ON/OFF», кондиционер начнет работать.
2. Нажмите кнопку «ON/OFF» заново, кондиционер прекратит работу.

Функция подсветки (только для пультов управления с такой функцией)

Пульт управления имеет подсветку, которая включается автоматически при нажатии любой кнопки для удобства работы в темноте. Подсветка автоматически отключается, если пультом не пользуются более 10 секунд.

8. УХОД И ОБСЛУЖИВАНИЕ

Перед тем, как приступить к чистке, отключите кондиционер от электросети.

RU

Чистка внутреннего блока и пульта дистанционного управления

- Чистку внутреннего блока и пульта ДУ выполняйте сухой мягкой тканью.
- Если внутренний блок слишком загрязнен, смочите ткань холодной водой.
- Во избежание повреждения краски или деталей кондиционера не пользуйтесь для чистки щетками и не оставляйте их на поверхности внутреннего блока.
- Во избежание повреждения поверхности или деформации деталей кондиционера не пользуйтесь для чистки бензином, растворителями, чистящими порошками или другими химически активными веществами.

Перед длительным перерывом в работе кондиционера

- Включите кондиционер на несколько часов в режиме вентилятора. Это позволит полностью просушить его внутренние полости
- Отключите кондиционер от электросети.
- Извлеките из пульта ДУ элементы питания.

Предпусковые проверки

- Убедитесь, что воздушный фильтр установлен.
- Убедитесь, что воздухозаборная и воздуховыпускная решетки наружного блока не загорожены посторонними предметами.

Чистка воздушного фильтра

- Воздушный фильтр очищает воздух, поступающий в кондиционер, от пыли и посторонних частиц. При загрязнении фильтра производительность кондиционера резко снижается.
- При постоянной эксплуатации кондиционера фильтр следует чистить

каждые две недели.

- Если кондиционер установлен в помещении с запыленной атмосферой, то воздушный фильтр следует чистить чаще.
- Для извлечения фильтра откройте панель внутреннего блока.
- Извлеките воздушные фильтры. Очистите фильтр пылесосом или в чистой воде. Если фильтр сильно загрязнен, почистите его мягкой щеткой и промойте в слабом моющем растворе, затем просушите.
- При чистке фильтра пылесосом держите его загрязненной поверхностью вверх. При промывании фильтра в воде держите его загрязненной поверхностью вниз.
- Не сушите фильтр на солнце или вблизи огня.
- Установите воздушный фильтр в исходное положение и закройте панель.

9. УТИЛИЗАЦИЯ, СРОК СЛУЖБЫ, ГАРАНТИЙНЫЙ СРОК

По окончании срока службы прибора следует провести его утилизацию в соответствии с нормами, правилами и способами, действующими в месте утилизации. Подробную информацию по утилизации прибора Вы можете получить у представителя местного органа власти, предоставив ему полную информацию о приборе. Изготовитель и уполномоченное им лицо не несут ответственности за исполнение Покупателем требований законодательства по утилизации и способы утилизации прибора, выбранные Покупателем. Срок службы прибора указан в гарантийном талоне.

Гарантийный срок на прибор, условия гарантии и гарантийного срока указаны в гарантийном талоне.

Гарантийный талон является неотъемлемой частью товаросопроводительной документации, входящей в комплект поставки данного прибора. При отсутствии гарантийного талона в комплекте поставки, требуйте его у Продавца. Гарантийным талон, предоставляемый Продавцом должен соответствовать установленной Изготовителем форме.

Изготовитель и уполномоченное лицо изготовителя снимают с себя любую ответственность за возможный вред, прямо или косвенно нанесенный данным прибором людям, животным, имуществу в случае, если это произошло в результате несоблюдения правил и условий эксплуатации, установки прибора, умышленных или неосторожных действий потребителя и/или третьих лиц, а также в случае ситуаций, вызванных природными и/или антропогенными и/или форс-мажорными явлениями.

RU

10. ТРАНСПОРТИРОВКА И ХРАНЕНИЕ

1. При транспортировании должны быть исключены любые возможные удары и перемещения упаковки внутри транспортного средства.
2. При транспортировке и хранении должны строго соблюдаться требования манипуляционных знаков на упаковке прибора.
3. Внешний блок нужно транспортировать строго вертикально.

Мы изучаем новые технологии и постоянно улучшаем качество нашей продукции. Технические характеристики, конструкция и комплектация

могут быть изменены без предварительного уведомления.
Продукция должна храниться в сухих, проветриваемых складских помещениях при температуре не ниже -30°C .

Температурные требования	Транспортировка и хранение	От -30°C до $+50^{\circ}\text{C}$
Требования к влажности		От 15% до 85% (нет конденсата)

11. ИНФОРМАЦИЯ О СЕРТИФИКАЦИИ

Изделие соответствует директиве ЕЕС 89/336, касающейся электромагнитного оборудования.

Гарантируется безотказная работа изделия в соответствии со сроками, указанными в гарантийном талоне. Обязательно ознакомьтесь с условиями гарантии и требуйте от продавца правильного и четкого заполнения гарантийного талона.

Изготовитель*: «Хоум Электроникс Лимитед» 801 Лук Ю Билдинг, 24-26 Стэнли Стрит, Централ, Китай.

«Home Electronics Limited» 801 Luk Yu Building, 24-26 Stanley Street, Central, China.

Импортер*: ООО «Оптимум Логистик» Россия, 129344, г. Москва, ул. Енисейская, д. 1, стр. 8, пом. 115.

RU

По вопросам сервисной поддержки обращаться в уполномоченную организацию (уполномоченное изготовителем лицо)*: ООО «Авангард Холго» РФ, 125195, г. Москва, Ленинградское ш., д. 57, стр. 12, тел.\факс. +7 (495) 627-52-85.

Серийный номер изделия: указан в составе кода на этикетке с маркировкой «ID LINE», расположенной на изделии и\или упаковке изделия. Также может быть указан на той же этикетке отдельно как «Серийный номер» и\или «Serial number».

Дата производства: указана как месяц и год производства в составе кода на этикетке с маркировкой Hyundai ID, расположенной на изделии и\или упаковке изделия. Месяц и последние две цифры года в составе кода указаны после знака тире в соответствующем порядке. Также может быть указан на той же этикетке отдельно как «Дата производства» и\или «Production date».

Сервисные центры Изготовителя: указаны в гарантийном талоне; при отсутствии в гарантийном талоне списка сервисных центров считать таковыми уполномоченное изготовителем лицо, а также сервисные центры, заявленные на сайте www.hyundai-home.ru.

12. НОРМАТИВНЫЕ ДОКУМЕНТЫ

ТОВАР СЕРТИФИЦИРОВАН НА ТЕРРИТОРИИ ТАМОЖЕННОГО СОЮЗА ОРГАНОМ ПО СЕРТИФИКАЦИИ ПРОДУКЦИИ HYUNDAI:

Автономная некоммерческая организация экспертизы и контроля качества - Центр сертификации «Евро-Тест»

РФ, 109147, г. Москва, улица Малая Калитниковская, дом 7

Тел.: 7(495) 665-0457

E-mail: info@euro-test.su

ТОВАР СООТВЕТСТВУЕТ ТРЕБОВАНИЯМ:

Технического регламента Таможенного союза, утвержденного Решением Комиссии Таможенного союза от 16 августа 2011 года №768, ТР ТС 004/2011 «О безопасности низковольтного оборудования»

Технического регламента Таможенного союза, утвержденного Решением Комиссии Таможенного союза от 9 декабря 2011 года №879, ТР ТС 020/2011 «Электромагнитная совместимость технических средств»

№ СЕРТИФИКАТА:

№ TC RU C-CN.AE61.B.10387

СРОК ДЕЙСТВИЯ:

С 08.11.2017 ПО 07.11.2022

**При отсутствии копии документа соответствия в комплекте поставки,
спрашивайте копию у продавца.**

RU

** Данные могут быть изменены в связи со сменой изготовителя, продавца, уполномоченного лица, производственного филиала, импортера в РФ и/или страны ЕТС. Актуальная информация указывается на дополнительной наклейке, размещенной на упаковке изделия.*

HYUNDAI



ГАРАНТИЙНЫЙ ТАЛОН

Территория действия:
Российская Федерация

Уважаемый покупатель!
Обратите особое внимание на стр. 32

Действителен с Января 2018 года

ГАРАНТИЙНЫЕ ОБЯЗАТЕЛЬСТВА

Бытовое изделие Hyundai



ВНИМАНИЕ!

Гарантийное обслуживание и ремонт бытовой техники Hyundai с соблюдением требований и норм Изготовителя (Hyundai) производятся на территории РФ только в фирменных сервисных центрах Изготовителя или мастерских, уполномоченных производителем и работающих с ним на основании договора.

Срок проведения экспертизы и гарантийного ремонта – не более 45 дней с момента приемки дефектного изделия авторизованным сервисным центром Hyundai.



ВНИМАНИЕ!

Просим Вас хранить Гарантийный талон и чек на покупку в течение всего гарантийного срока. При покупке изделия требуйте проверку его комплектности и отсутствия механических повреждений, а так же полного правильного и четкого заполнения данного гарантийного талона в Вашем присутствии. Претензии по некомплектности и выявленным механическим повреждениям после продажи не принимаются. Для гарантийного ремонта предъявляйте Гарантийный талон вместе с чеком покупки с указанной датой покупки.

Если при эксплуатации изделия Вы столкнулись с неполадками в его работе, которые Вы не можете устранить самостоятельно в строгом соответствии с Руководством по эксплуатации изделия, обратитесь к региональному представителю Изготовителя в России или в региональный авторизованный сервисный центр Hyundai, уточнив адрес у продавца. Полный перечень сервисных центров указан на сайте www.hyundai-home.ru или приложен отдельным списком в комплекте с изделием. Вы можете обратиться в уполномоченную сервисную службу Изготовителя по телефону: **+7 (495) 627-5285**, либо по телефонам, указанным на сайте: www.hyundai-home.ru, или отправить сообщение по электронному адресу: service@hc-hvac.ru.

Если отсутствие надлежащим образом заполненного гарантийного талона на изделие или отсутствие чека с указанием изделия не позволяет идентифицировать изделие и факт его продажи на территории РФ, то Изготовитель вправе отказать в гарантийном обслуживании изделия. При невозможности определить дату продажи изделия, гарантийный срок исчисляется с даты его производства. Дата производства изделия определяется по реестру Изготовителя в соответствии с серийным номером изделия.

Официальный срок службы электрического кондиционера воздуха Hyundai,



установленный изготовителем, составляет 10 лет со дня передачи изделия потребителю. Указанный срок службы действителен только при условии соблюдения правил эксплуатации и правильного ухода за изделием.

Во избежание недоразумений убедительно просим Вас внимательно изучить Руководство по эксплуатации изделия и условия гарантийных обязательств, проверить правильность заполнения бланка гарантийного талона. Согласно требованиям Изготовителя, гарантийный талон действителен только при наличии четко и правильно указанных данных: модели, серийного номера изделия, даты покупки, данных фирмы-продавца, подписи покупателя. Соответствующие данные также должны быть указаны продавцом на отрывных талонах.

В гарантийном талоне обязательным является указание даты запуска изделия в эксплуатацию и штамп уполномоченной организации, производшей запуск в эксплуатацию.

При проведении планового профилактического обслуживания изделия специалист сервисного центра должен заполнить соответствующую часть гарантийного талона, поставить подпись и печать сервисного центра.

Модель и серийный номер изделия (на маркировочной (идентификационной) наклейке Изготовителя на изделии (ID) должны соответствовать указанным в гарантийном талоне продавцом. При нарушении этих условий, а также в случае, когда данные, указанные в гарантийном талоне, изменены или стерты, талон может быть признан недействительным.

RU



ВНИМАНИЕ!

Производитель рекомендует приобретать приборы Hyundai только у авторизованных продавцов.

Данным гарантийным талоном Изготовитель подтверждает принятие на себя обязательств по удовлетворению законных требований потребителей в случае обнаружения недостатков изделия, возникших по вине Изготовителя в течение установленного гарантийного срока.

Увеличенный гарантийный срок на изделие составляет 4 года со дня передачи изделия потребителю, при условии проведения межсезонного технического обслуживания в авторизованном сервисном центре.

Гарантийный срок действителен для изделий, произведенных начиная с 01.01.2016 и имеющих ID установленной формы:

Гарантийные обязательства дополняют и уточняют оговоренные законом обязательства, предполагающие соглашение сторон либо договор; выдаются Изготовителем в дополнение к законным правам потребителей и ни в коей мере их не ограничивают. Гарантия Изготовителя действительна только на территории РФ на изделия, купленные на территории РФ и изготовленные для РФ.



Изготовитель оставляет за собой право:

- отказать в гарантийном сервисном обслуживании изделия в случае несоблюдения изложенных ниже условий (см. «Досрочное прекращение гарантийного обслуживания»);
- самостоятельно инициировать независимую экспертизу для выяснения обстоятельств, приведших к выходу прибора из строя;
- сравнивать предоставленную маркировочную (идентификационную) наклейку изделия (ID) с данными реестров производства для проверки соответствия серийного номера изделия уникальным производственным номерам реестров.



Просим Вас хранить Гарантийный талон в течение всего гарантийного срока, установленного Изготовителем на приобретенное Вами изделие.

RU

При покупке изделия требуйте от продавца проверку его комплектности и отсутствия механических повреждений в Вашем присутствии, а также правильного и четкого заполнения данного гарантийного талона. Претензии по некомплектности и выявленным механическим повреждениям после продажи изделия не принимаются.

Установка, подключение и запуск в эксплуатацию данного изделия допускается исключительно специалистами и организациями, имеющими лицензии или соответствующие разрешения (допуски) на данный вид деятельности, либо специалистами и организациями, авторизованными для монтажа и/или обслуживания данного вида техники. О необходимости проведения тех или иных монтажных и/или сервисных работ специализированными организациями Вы можете узнать, внимательно ознакомившись с Руководством по эксплуатации на приобретенное Вами изделие.

Для монтажа приобретенного оборудования Вы можете воспользоваться платной услугой специалистов авторизованных сервисных центров Hyundai, которые проведут все необходимые работы для длительного и безопасного использования приобретенного Вами изделия.

Вы можете также воспользоваться услугами любых других квалифицированных специалистов, однако, в этом случае, если изделие вышло из строя вследствие неправильной установки и подключения, Вы теряете право на бесплатное гарантийное обслуживание.

Досрочное прекращение гарантийного обслуживания.

Все условия гарантийного обслуживания регулируются Законодательством РФ и Законом РФ «О защите прав потребителей». В частности, отказ в бесплатном гарантийном обслуживании изделия может быть вызван:

- нарушением при оформлении гарантийного талона при продаже изделия;
- отсутствием товарного или кассового чека о продаже изделия или невозможностью определить продавца изделия;
- наличием следов механических повреждений, возникших после передачи изделия потребителю и явившихся возможной причиной возникновения дефекта;
- наличием повреждений, вызванных несоответствием стандартам параметров питающих сетей и других подобных внешних факторов, а также вызванных использованием нестандартных, неоригинальных (или некачественных) аксессуаров, принадлежностей, запасных частей, элементов и т. д.;
- нарушением правил Руководства по эксплуатации данного изделия;
- наличием следов несанкционированного вскрытия и/или ремонта изделия (за исключением случаев, предусмотренных Руководством по эксплуатации), повлекших за собой отказ в работе изделия;
- дефектом или отказом системы или ее части, где изделие использовалось как часть системы и это могло привести к дефекту или отказу изделия.

RU

ВНИМАНИЕ!



Если в результате экспертизы/диагностики изделия установлено, что его недостатки возникли вследствие обстоятельств, за которые не отвечает продавец (изготовитель), либо недостатки в товаре отсутствуют, Потребитель обязан возместить продавцу (изготовителю или уполномоченной изготовителем организации) расходы на проведение экспертизы (диагностики, а также связанные с ее проведением расходы на хранение и транспортировку товара) в соответствии с Законом РФ «О защите прав потребителей» № 171-ФЗ в ред. от 21.12.2004 ст. 18 п. 5.

Гарантийные обязательства не распространяются на перечисленные ниже части и принадлежности изделия, если их замена не связана с разборкой самого изделия или их замена требуется при профилактическом обслуживании:

- монтажные приспособления, инструмент и документацию, прилагаемую к изделию;

- расходные части изделия, подразумевающие периодическую замену за счет потребителя (фильтрующие элементы, элементы питания и др.);
- части и узлы изделия, неисправность которых связана с естественным износом в процессе эксплуатации (фильтрующие элементы, втулки, подшипники и т.д.);
- материалы, наклеенные на изделие, имеющие рекламное или информационное назначение, за исключением маркировочной (идентификационной) наклейки Изготовителя (ID).

**ВНИМАНИЕ!**

Если маркировочная (идентификационная) наклейка на изделие Hyundai (ID) закреплена на изделии не плотно и существует риск ее утери, то вклейте ее в гарантийный талон на последней странице.

Изготовитель не несет гарантийных обязательств за изделие в следующих случаях:

- если изделие использовалось в иных целях, не соответствующих его прямому назначению в соответствии с Руководством по эксплуатации;
- если на изделии отсутствует маркировочная (идентификационная) табличка Изготовителя (ID);
- если изделие имеет следы несанкционированного вскрытия, не предусмотренного Руководством по эксплуатации, и попыток неквалифицированного ремонта;
- если дефект вызван изменением/нарушением конструкции или схемы изделия, не предусмотренным Изготовителем;
- если обнаружены повреждения, вызванные попаданием внутрь изделия посторонних предметов, веществ, жидкостей, насекомых, скоплением большого количества пыли;
- если обнаружены повреждения, вызванные подключением к сетям с недопустимыми параметрами;
- если дефект вызван действием непреодолимых сил, несчастными случаями, умышленными или неосторожными действиями потребителя или третьих лиц;
- если нарушены требования Изготовителя по проведению обязательных для сохранения гарантии и продления срока службы профилактических работ, описанных в Руководстве по эксплуатации;
- неправильного хранения (консервации / разборки-сборки на период хранения) изделия;
- если монтаж и использование изделия производится без разрешительной документации исполнительных органов власти субъектов РФ там, где подобная документация требуется в соответствии с требованиями законодательства РФ (в т.ч. Жилищного Кодекса РФ);
- если покупатель самостоятельно без учета рекомендаций Изготовителя и продавца купил кондиционер надлежащего качества и установил в помещении, для которого изделие не подходит по своим техническим характеристикам;
- некачественного монтажа неавторизованной организацией/частными

лицами, если не была правильно проведена вакуумация трубопроводов, была проведена заправка недостаточного количества хладагента или допущены другие ошибки при монтаже (перегиб трубопроводов, негоризонтальное расположение блоков, нарушение допустимых перепадов высот установки между блоками и т.д.);

- эксплуатации изделия в недопустимых условиях и с нарушением режимов работы, прописанных в Руководстве по эксплуатации (например, использование вне рабочего температурного диапазона, указанного в технических характеристиках);
- если неисправность была вызвана нарушением сроков периодического обслуживания изделия;
- если неисправность была вызвана сильными загрязнениями фильтров и/или испарителя/конденсатора пылью, листвой, насекомыми и другими предметами.

Изготовитель снимает с себя любую ответственность за возможный вред, прямо или косвенно нанесенный продукцией Hyundai людям, домашним животным, и имуществу, в случаях, если это произошло в результате несоблюдения правил и условий эксплуатации или вследствие неквалифицированной установки (профилактики, обслуживания, ремонта) изделия, умышленных или неосторожных действий потребителя или третьих лиц.

Таблица 1

RU	Наименование рекомендуемых профилактических работ	Для бытовых помещений Рекомендуемые интервал / сроки	Для офисных помещений Рекомендуемые интервал / сроки	Для торговых помещений Рекомендуемые интервал / сроки
	Чистка теплообменников внешнего и внутреннего блоков			
	Мойка ванны для сбора конденсата			
	Продувка трубопровода конденсата	Не реже 1-го раза в год / Июль	Не реже 2-х раз в год / Май, август	Не реже 3-х раз в год / Май, июль, сентябрь
	Общая проверка системы			
	Дозаправка (при необходимости)			
	Чистка крыльчатки вентилятора внутреннего блока			

Рекомендуемые профилактические работы для увеличения срока гарантии на компрессор кондиционера, а также для выполнения условия долговременной работы кондиционера, в рамках заявленного срока службы и более.

**ВНИМАНИЕ!**

Пожалуйста, потребуйте от продавца полностью, четко и правильно заполнить бланк Гарантийного талона.

**ВНИМАНИЕ!**

Техническое (профилактическое) обслуживание изделия не входит в гарантийные обязательства изготовителя и продавца и является дополнительной платной услугой.

Для ряда территорий могут действовать исключительные правила гарантии, увеличивающие срок на изделие или компоненты. Такие правила устанавливаются только по распоряжению Производителя официальным письмом Производителя.

RU

**ВНИМАНИЕ!**

Срок проведения экспертизы и гарантийного ремонта – не более 45 дней с момента приемки дефектного изделия авторизованным сервисным центром Hyundai.

**ВНИМАНИЕ!**

Большинство приборов торговой марки Hyundai требуют профессиональных консультаций со специалистами соответствующей квалификации в процессе подбора, а также при вводе их в эксплуатацию. Производитель рекомендует приобретать приборы Hyundai только у авторизованных им продавцов. В предоставлении дополнительной гарантии может быть отказано, если прибор Hyundai был приобретен у продавцов, указанных в соответствующем разделе на сайте www.hyundai-home.ru, не исполняющих полностью или частично требований производителя к правилам обслуживания покупателей, а также требований производителя к предоставлению стандартных условий приобретения приборов Hyundai.

Покупатель информирован о том, что он не вправе требовать возврата или обмена купленного изделия в порядке статьи 25 Закона «О защите прав потребителей» и статьи 502 Гражданского Кодекса РФ в соответствии с п.11 «Перечня непродовольственных товаров надлежащего качества, не подлежащих возврату или обмену на аналогичный товар другого размера, формы, габарита, фасона, расцветки или комплектации» Постановления Правительства РФ от 19.01.1998 г. № 55.

Подписывая данный гарантийный талон, Покупатель признает, что он:

1. Проверил заполнение информации на всех страницах.
2. Получил Руководство по эксплуатации на изделие на русском языке.
3. Владеет всей необходимой информацией о приобретенном изделии и его потребительских свойствах, характеристиках в соответствии со статьей 10 Закона РФ «О защите прав потребителей».
4. Ознакомлен и полностью согласен с условиями и ограничениями гарантийного обслуживания, а также с условиями установки / подключения / сервисного обслуживания / эксплуатации приобретенного изделия.
5. Не имеет претензий к внешнему виду / комплектности / работоспособности (если прибор проверялся в его присутствии при продаже) приобретенного изделия.

RU

Подпись покупателя (с расшифровкой)

_____ / _____

Дата

Бланк гарантийного талона



ВНИМАНИЕ!

Пожалуйста, потребуйте от продавца полностью заполнить бланк гарантийного талона и отрывные талоны.

Заполняется фирмой-продавцом

Изделие

Модель

Серийный номер

Дата продажи

Фирма-продавец

Адрес фирмы-продавца

Телефон фирмы-продавца

RU

Печать
фирмы-
продавца

Без подписи покупателя на странице 32 Гарантийный талон является недействительным.

Сведения об установке изделия

Заполняется установщиком

Фирма-установщик

Номер сертификата

Дата установки

Мастер

Печать
фирмы-
установщика

Заполняется сервисным центром

«А»

Дата приема

Дата выдачи

Особые отметки

Печать
сервисного
центра

«Б»

Дата приема

Дата выдачи

Особые отметки

Печать
сервисного
центра

«В»

Дата приема

Дата выдачи

Особые отметки

Печать
сервисного
центра

«Г»

Дата приема

Дата выдачи

Особые отметки

Печать
сервисного
центра

Дата приема

Дата выдачи

Особые отметки

Номер
заказа-наряда

Проявление
дефекта

Мастер

Код неисправности

Заполняется сервисным центром

Печать
сервисного
центра

Дата приема

Дата выдачи

Особые отметки

Номер
заказа-наряда

Проявление
дефекта

Мастер

Код неисправности

Заполняется сервисным центром

Печать
сервисного
центра

Дата приема

Дата выдачи

Особые отметки

Номер
заказа-наряда

Проявление
дефекта

Мастер

Код неисправности

Заполняется сервисным центром

Печать
сервисного
центра

Отрывной талон «А»

HYUNDAI

Изделие

Модель

Серийный номер

Дата продажи

Фирма-продавец

Печать
фирмы-
продавца

Заполняется фирмой-продавцом

Отрывной талон «А»

HYUNDAI

Изделие

Модель

Серийный номер

Дата продажи

Фирма-продавец

Печать
фирмы-
продавца

Заполняется фирмой-продавцом

Отрывной талон «А»

HYUNDAI

Изделие

Модель

Серийный номер

Дата продажи

Фирма-продавец

Печать
фирмы-
продавца

Заполняется фирмой-продавцом

Профилактическое обслуживание изделия.

(Заполняется специалистом авторизованного сервисного центра Hyundai)

№№	Дата выполнения работ	Перечень выполненных работ	Наименование СЦ	Ф.И.О. исполнителя, подпись, печать

Страна	Наименование сервисного центра	Телефон	Фактический адрес, электронный адрес
Россия	ООО «Авангард Холго»	(495) 710-71-72 (495) 627-52-85	Единая сервисно-информационная служба на территории России: г. Москва, Ленинградское ш., д. 57, корп. 12, 2 этаж service@hc-hvac.ru
Казахстан			service@hc-hvac.ru
Белоруссия			service@hc-hvac.ru



Внимание покупателей!

Список сервисных центров Hyundai может быть дополнен или изменен без специального предварительного уведомления. Информация регулярно обновляется на сайте www.hyundai-home.ru, в разделе «Сервис».

Также вы всегда можете задать свои вопросы, касающиеся сервисного обслуживания техники Hyundai, позвонив по телефону: +7 (495) 627-5285.

Если у вас возникли претензии к работе сервисного центра Hyundai в вашем городе, просьба информировать об этом Генерального сервисного партнера Hyundai по телефону: +7 (495) 627-5285 или электронной почте: service@hc-hvac.ru своевременно.

Ваши пожелания помогут нам организовать сервисную поддержку техники Hyundai на более высоком уровне. Спасибо за сотрудничество!

Авторизованные сервисные центры по гарантийному обслуживанию климатического оборудования бренда HYUNDAI

Город	Наименование АСЦ	Код города	Телефон	Адрес
г. Екатеринбург	ООО "Лайт Климат"	343	385-84-00	ул. Транспортников, 1 литер А оф.306
г. Екатеринбург	ООО "Эльдорадо"	800	250-25-25	ул. Суходольская, д. 197, только приемный пункт: ул. Уральская, д. 60
г. Ереван	ООО "Зигзаг"	374	55-70-10 99-400-307 932-109-99	-

Город	Наименование АСЦ	Код города	Телефон	Адрес
г. Йошкар-Ола	ИП Бешкарёва С.В.	8362	41-77-43 45-73-68	ул. Советская, 173
г. Казань	ООО "Эльдорадо"	800	250-25-25	Лаишевский район, Село Столбище, ул. Советская, д. 271, складской комплекс "Q-парк", только приемный пункт: ул. Чистопольская, д. 60
г. Краснодар	ИП Бабаков А.А.		8 (918) 102-00-10 8 (961) 501-92-22	ул. Белозерная, 1/1
г. Краснодар	ИП Приходько А.В. (Компания "ЮГ-ЗИП")		8 (906) 432-71-81 8 (965) 456-73-33	ул. Сормовская, 7/8
г. Красноярск	ООО "Эльдорадо"	800	250-25-25	ул. Маерчака, д. 50
г. Москва	ООО "Авангард Холго"	495	710-71-72 627-52-85	Ленинградское шоссе, 57
г. Москва	ООО "Эльдорадо"	800	250-25-25	Волоколамское шоссе, д. 89, кор. 2
г. Ростов-на-Дону	ООО "Мастер"	863	219-21-12	ул. 50-летия Ростельмаша, 1/52
г. Ростов-на-Дону	ООО "Эльдорадо"	800	250-25-25	Доломановский пер., д. 130 лит. В
г. Самара	ООО "Эльдорадо"	800	250-25-25	ул. Зои Космодемьянской д.7
г. Саратов	ИП Былинкин А.А.	8452	600-525, 600-393	ул. Горького, 48
г. Санкт-Петербург	ООО "АЦ"Пионер Сервис"	812	324-75-33	Лиговский, 52 Литера А
г. Санкт-Петербург	ООО "Эльдорадо"	800	250-25-25	ул. Запорожская д. 12, литера ВА
г. Тюмень	ООО "Эльдорадо"		250-25-25	ул. 30 лет Победы, д. 113А
г. Улан-Удэ	ИП Андреевская В.А.	3012	42-38-89	ул. Жердева, 140 А, кв 5
г. Улан-Удэ	ООО "Эльдорадо"	800	250-25-25	ул. Ключевская, д. 8



Более подробную информацию о сервисных центрах в других городах можно найти у продавца и на сайте: www.hyundai-home.ru.

Адреса и телефоны авторизованных сервисных центров могут изменяться без предварительного уведомления покупателей.

HYUNDAI



KO 제품 품질 보증 쿠폰은 해당 지역 디스트리뷰터에 요청하시기 바랍니다.



EN Ask distributor of your region for Warranty Coupon of a product.



ES Pida la garantía al distribuidor en su país.



KZ Бұйымның кепілдік талонын сатылған ел аумағындағы дистрибьютордан сұрастырыңыз.



BY Гарантыйны талон на выраб запытваць у дыстрыбутара на тэрыторыі краіны продажу.

Licensed by Hyundai Corporation, Korea
www.hyundai-home.ru

